

LAND JUMP 4WD

INTEGRAL

RADIO CONTROLLED ENGINE POWERED 4 WHEEL DRIVE RACING BUGGY KIT



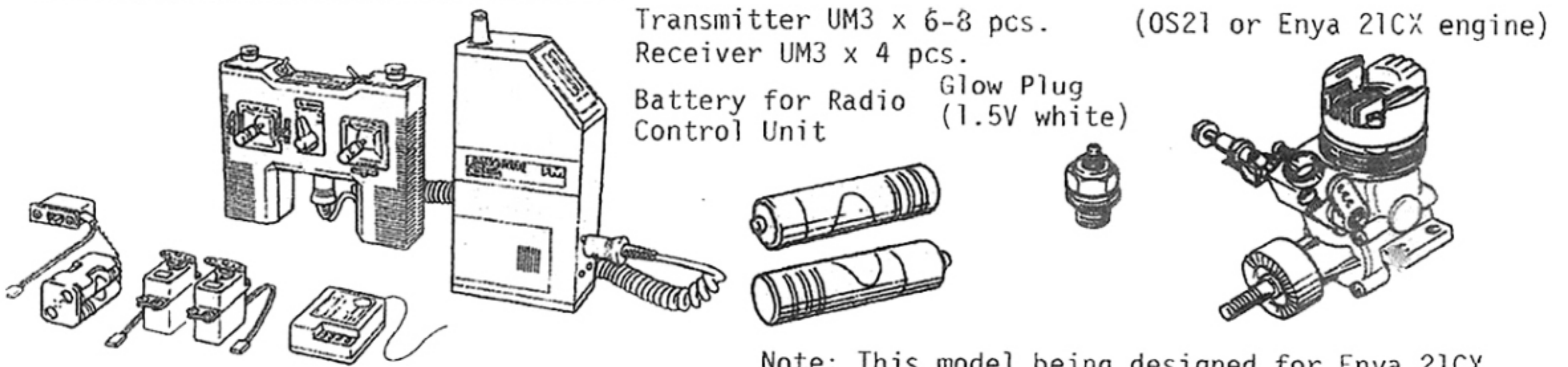
KIT No.3011

KYOSHO
THE FINEST RADIO CONTROL MODELS

Thank you very much for purchasing the R/C Car "LAND JUMP 4D". To be able to assemble your "LAND JUMP 4D" properly so it will run with maximum performance, we recommend that you proceed with the assembly work following closely this instruction booklet.

By reading this instruction booklet to the end thoroughly before you start to assemble and keeping in mind the general construction of the car, it will enable you to get started with the assembly work very smoothly. If you are going to use a new engine, by BREAKING IN the engine in accordance with the instruction sheet that comes with the engine, it will enable you to get long engine life and maximum performance.

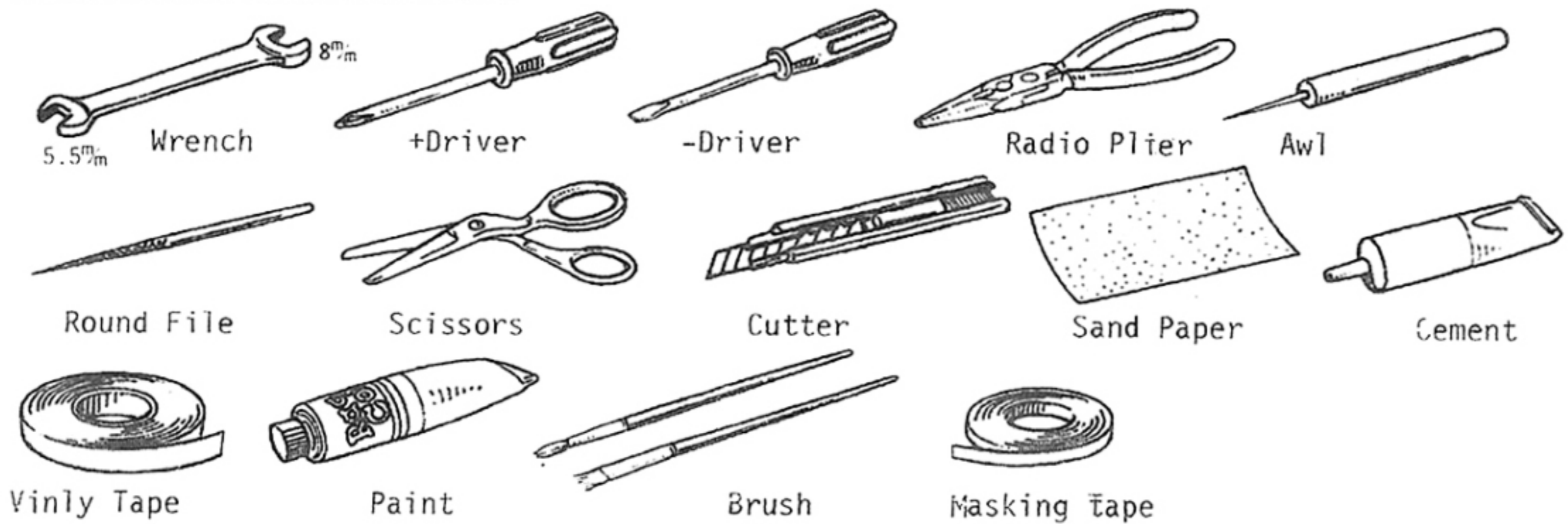
ARTICLES REQUIRED OTHER THAN THE KIT



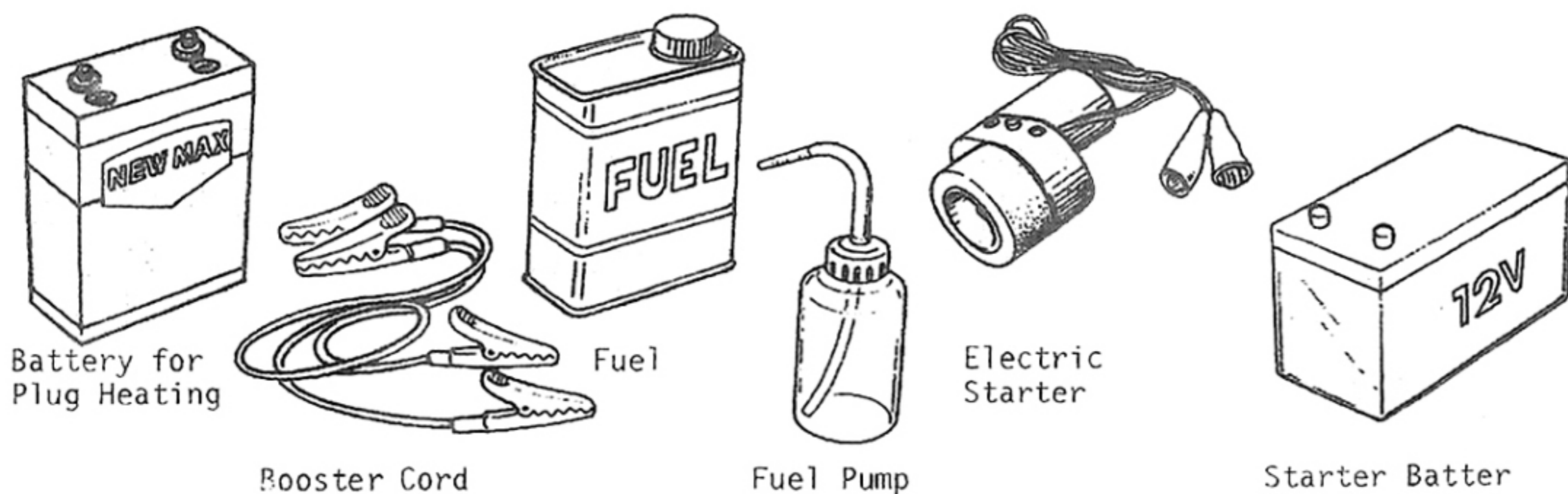
Note: Use reverse-servo for steering.

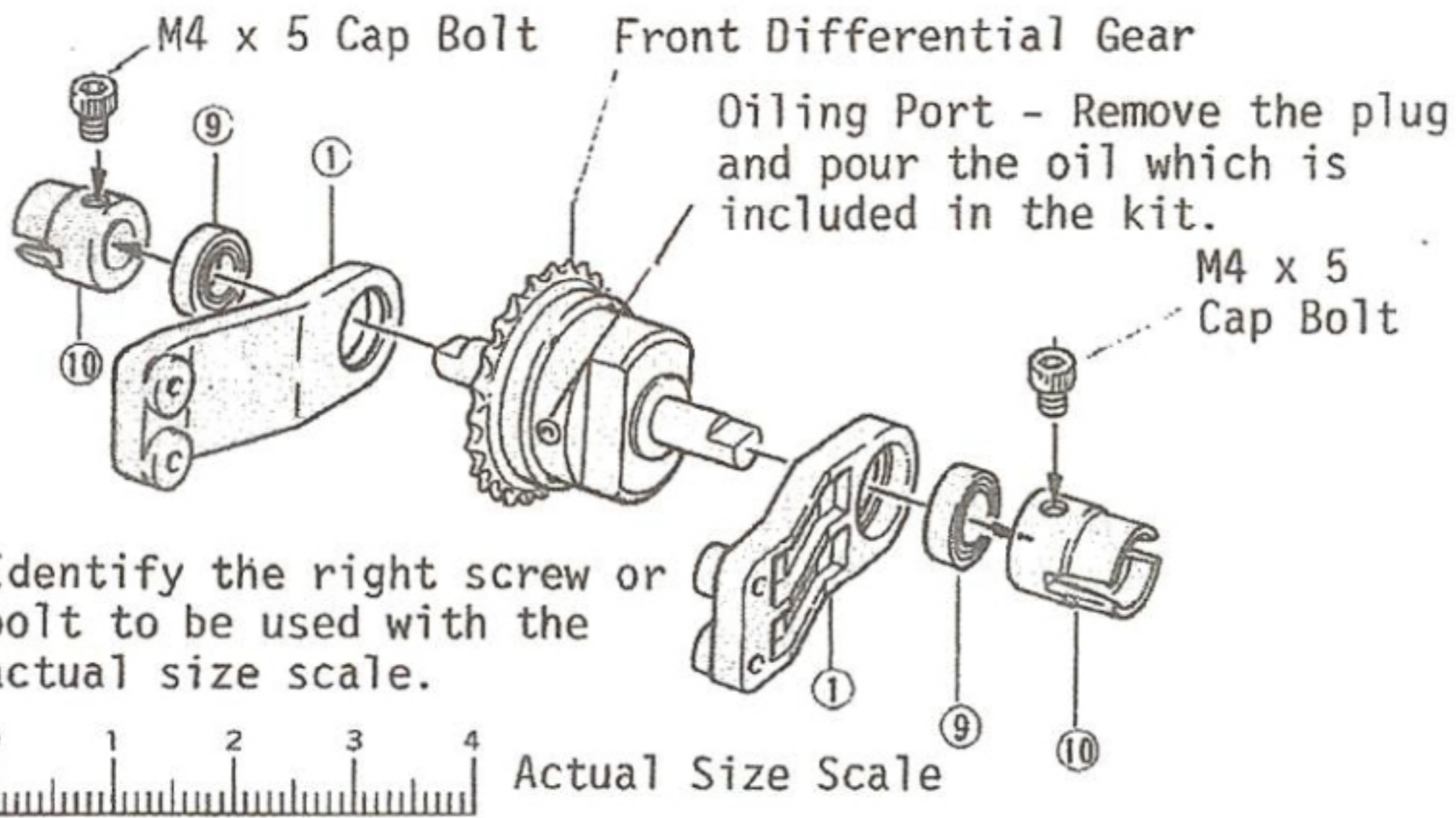
Note: This model being designed for Enya 21CX and OS21 engines. An optional parts and modifications necessary when use other engines.

TOOLS REQUIRED FOR ASSEMBLING



ARTICLES REQUIRED FOR RUNNING

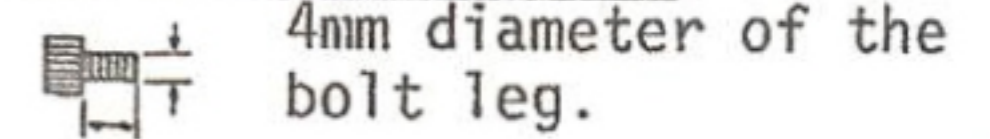




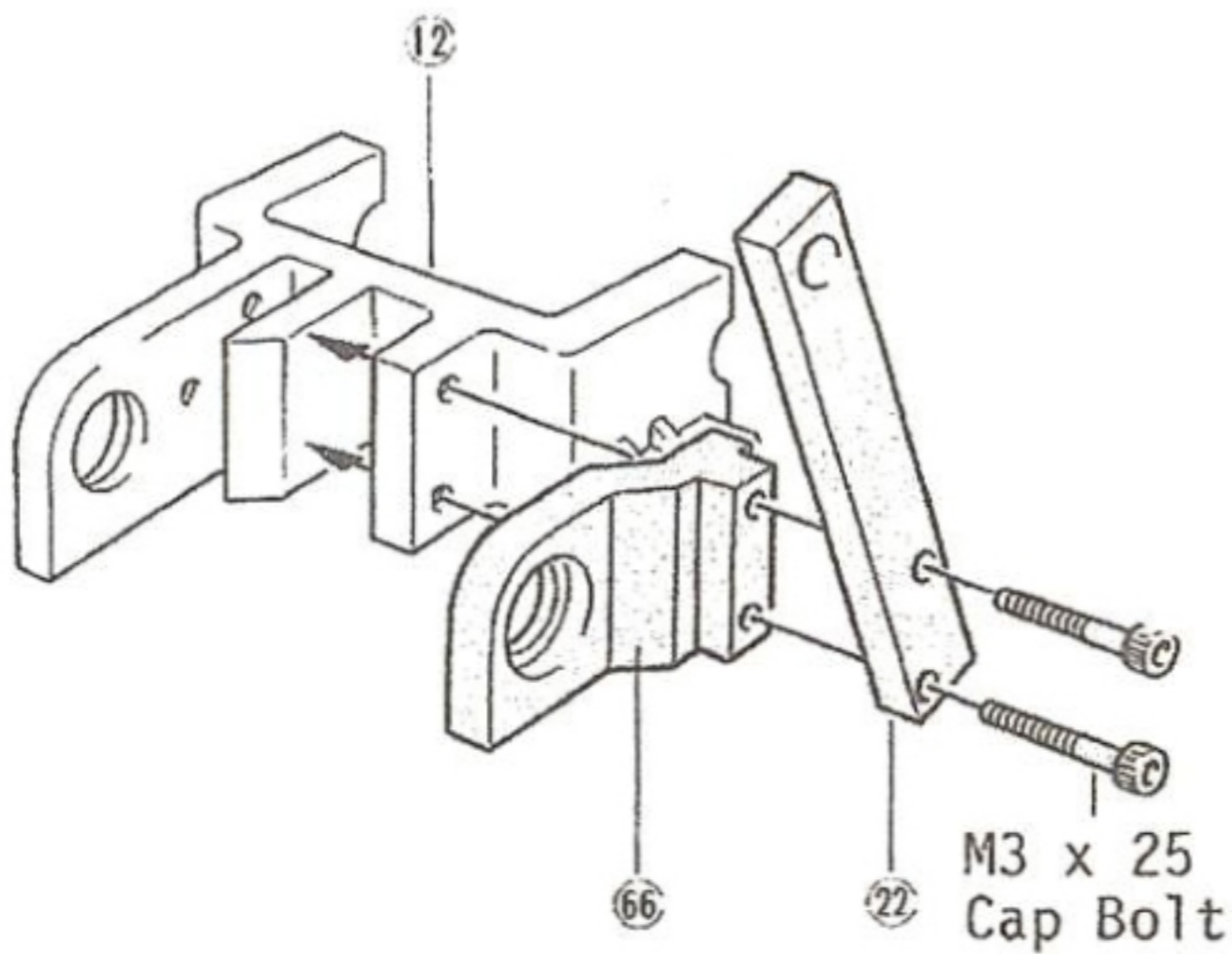
OILING

The differential gear needs to be filled with oil. Viscosity of the oil give it some resistance so that the differential gear will operate properly.

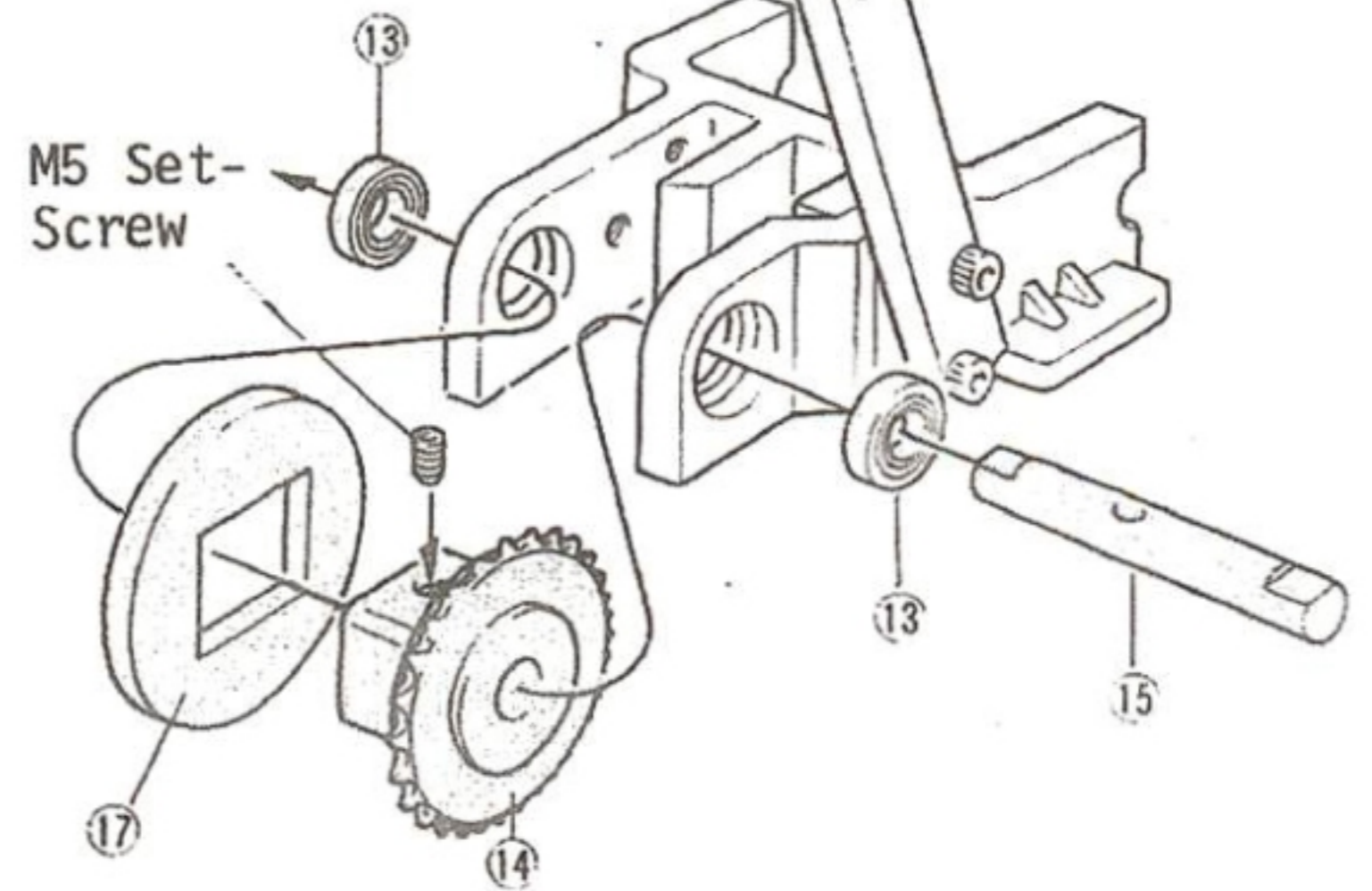
*M4 x 5 Cap Bolt is;



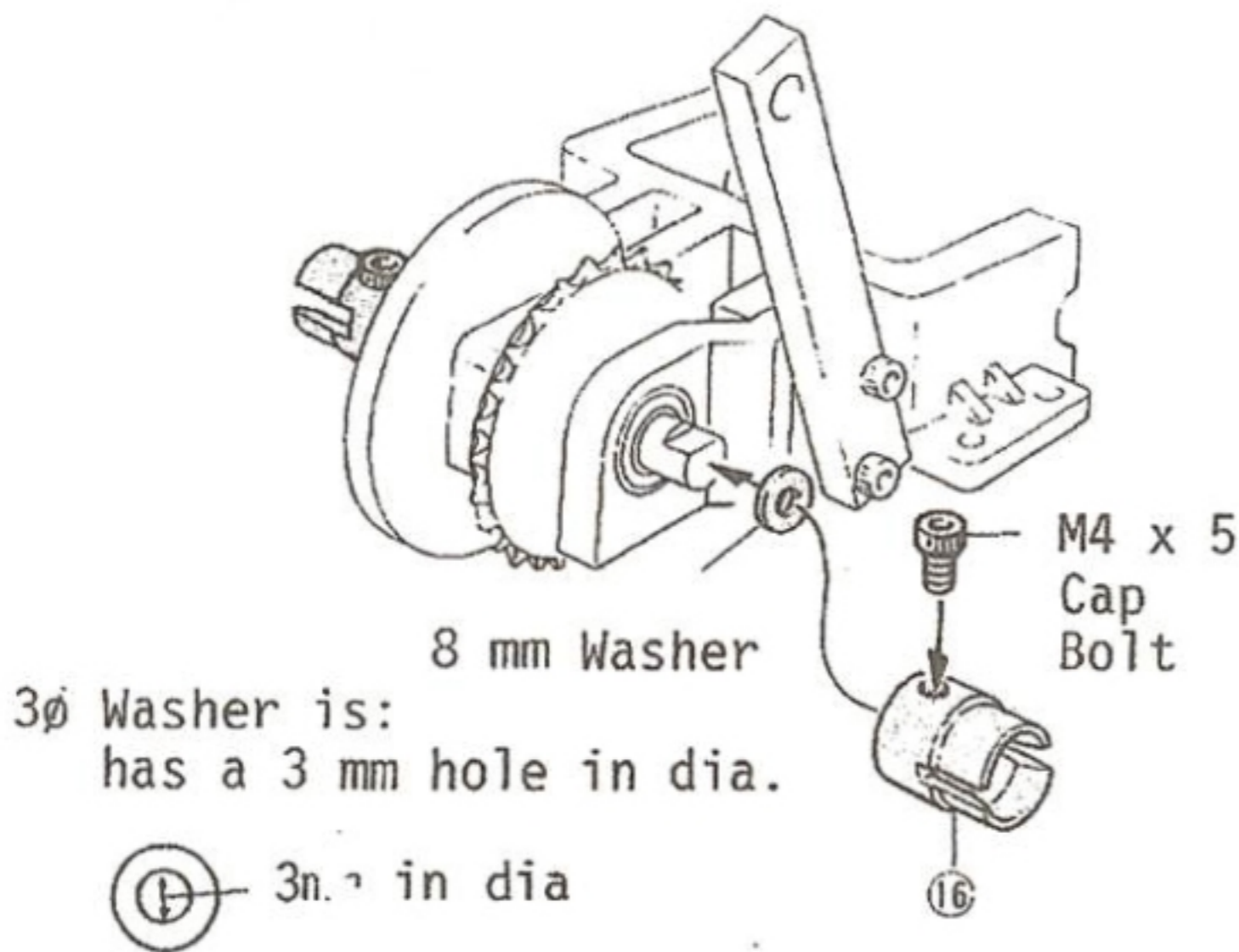
2 Bolt the rear axle (12) and the muffer installing stay (22) to the rear axle (12).



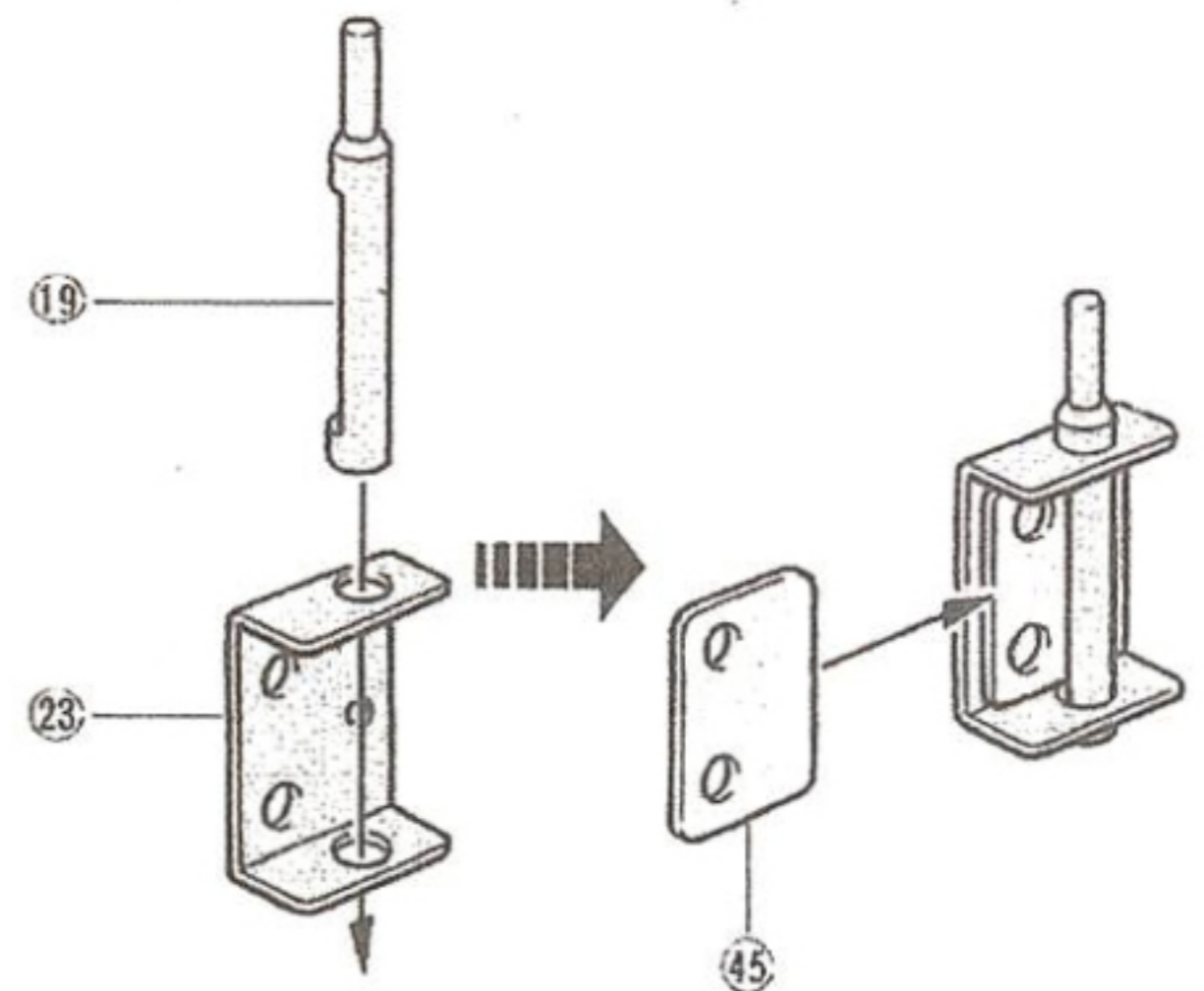
3 Insert the rear shaft bearing (13) into the rear axle (12), fit onto the rear sprocket (14) boss, the main disc (17) as illustrated, insert the rear center shaft (15) as shown in illustration, match the "D" cut portion to M5 hexagon nut and tighten firmly.



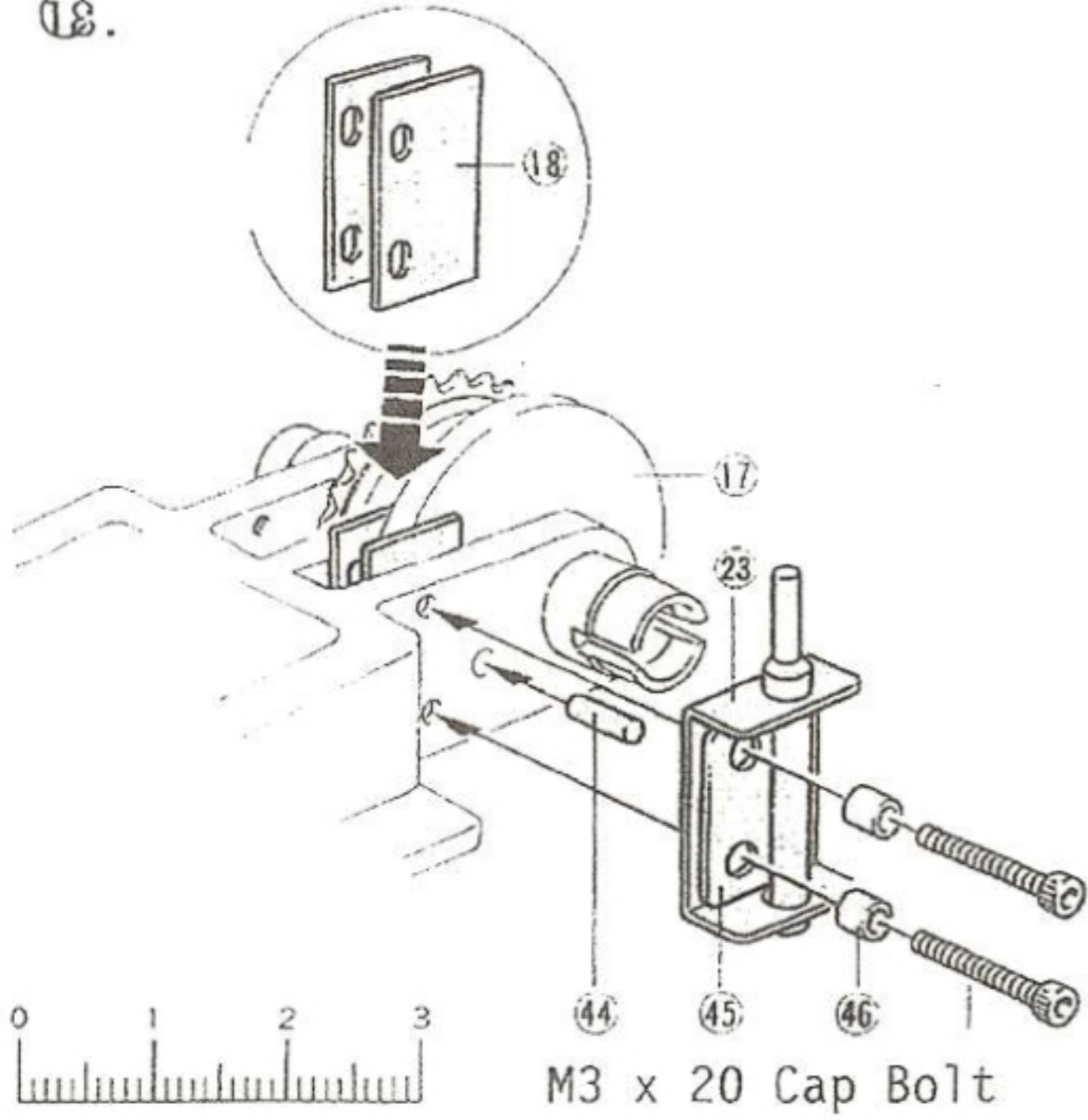
4 Install the joint (16) onto the shaft.



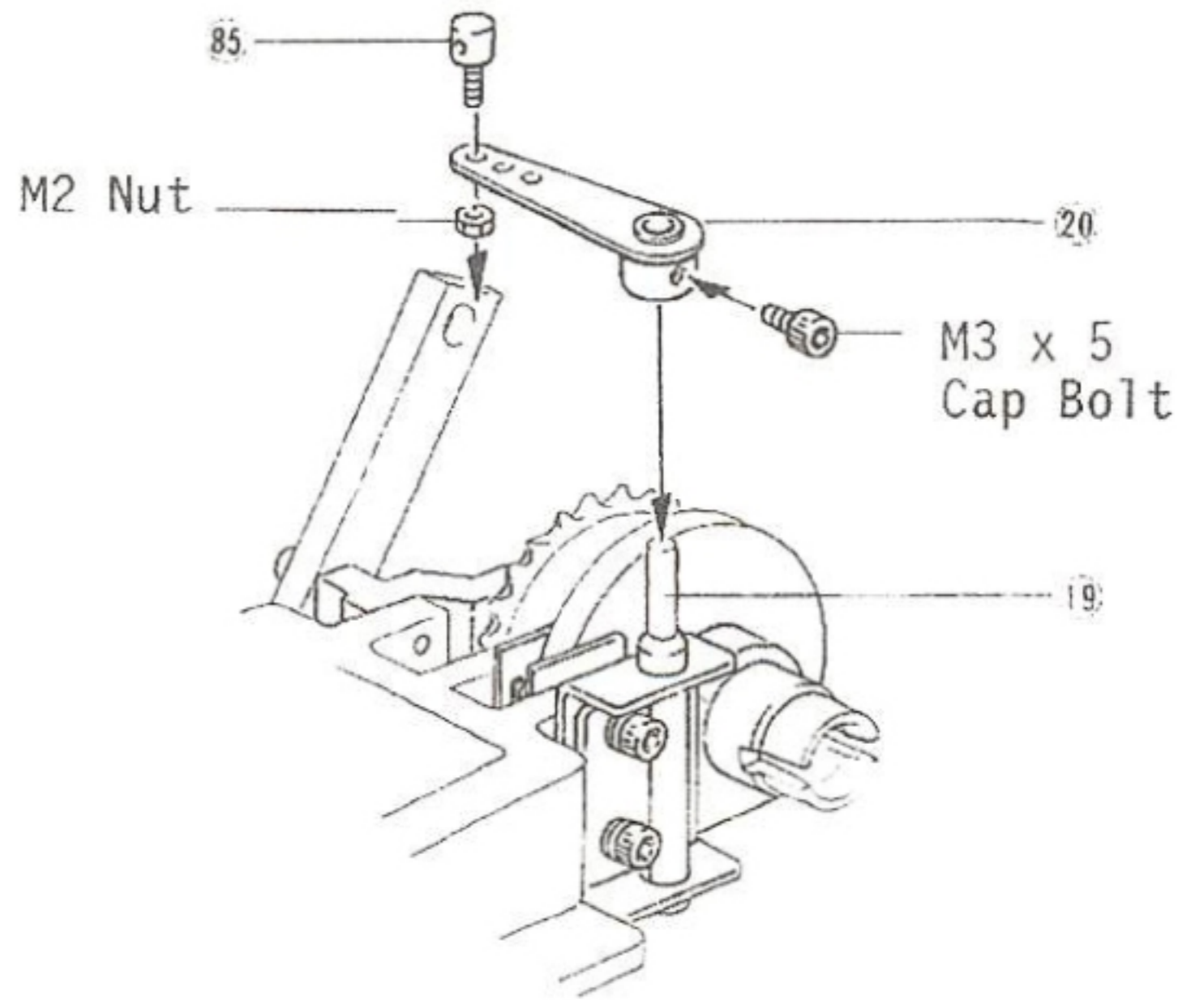
5 Assemble the brake caliper (23) with the brake shaft (19), and insert the brake shaft plate (45) between (19) and (23).



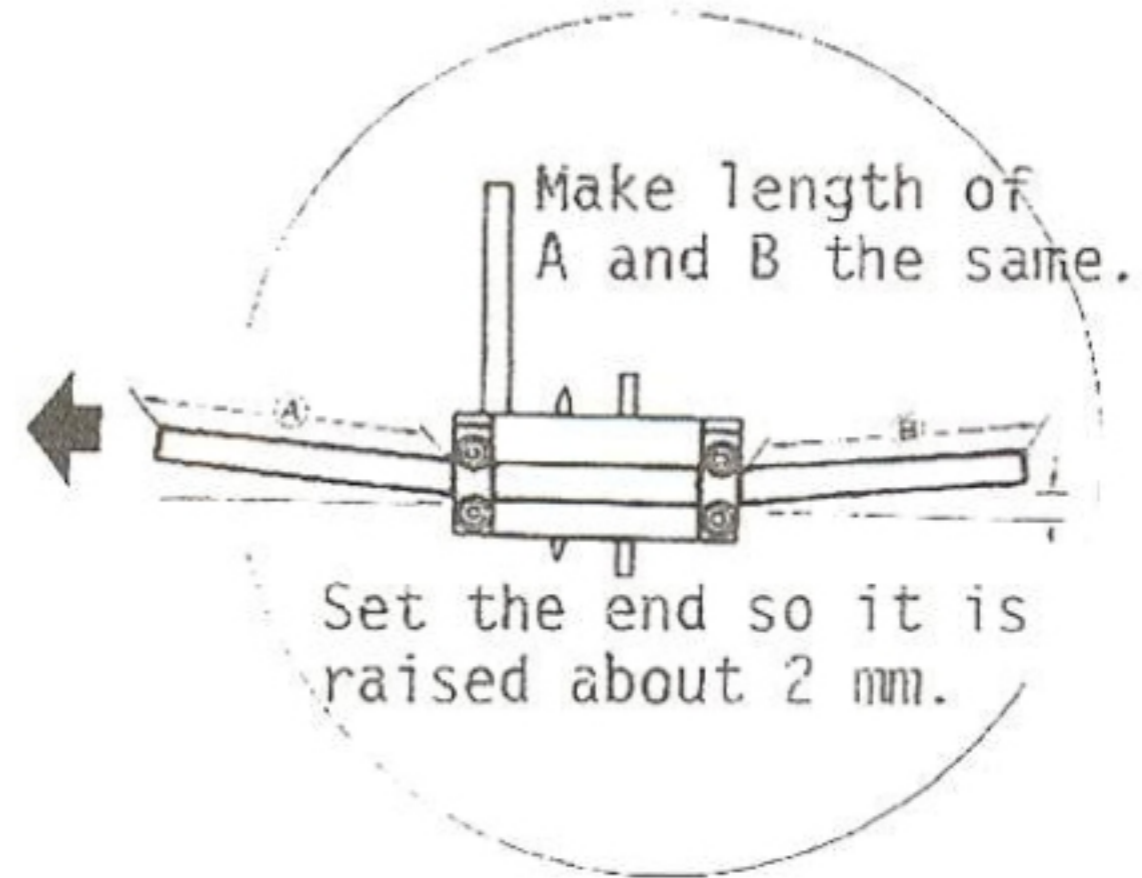
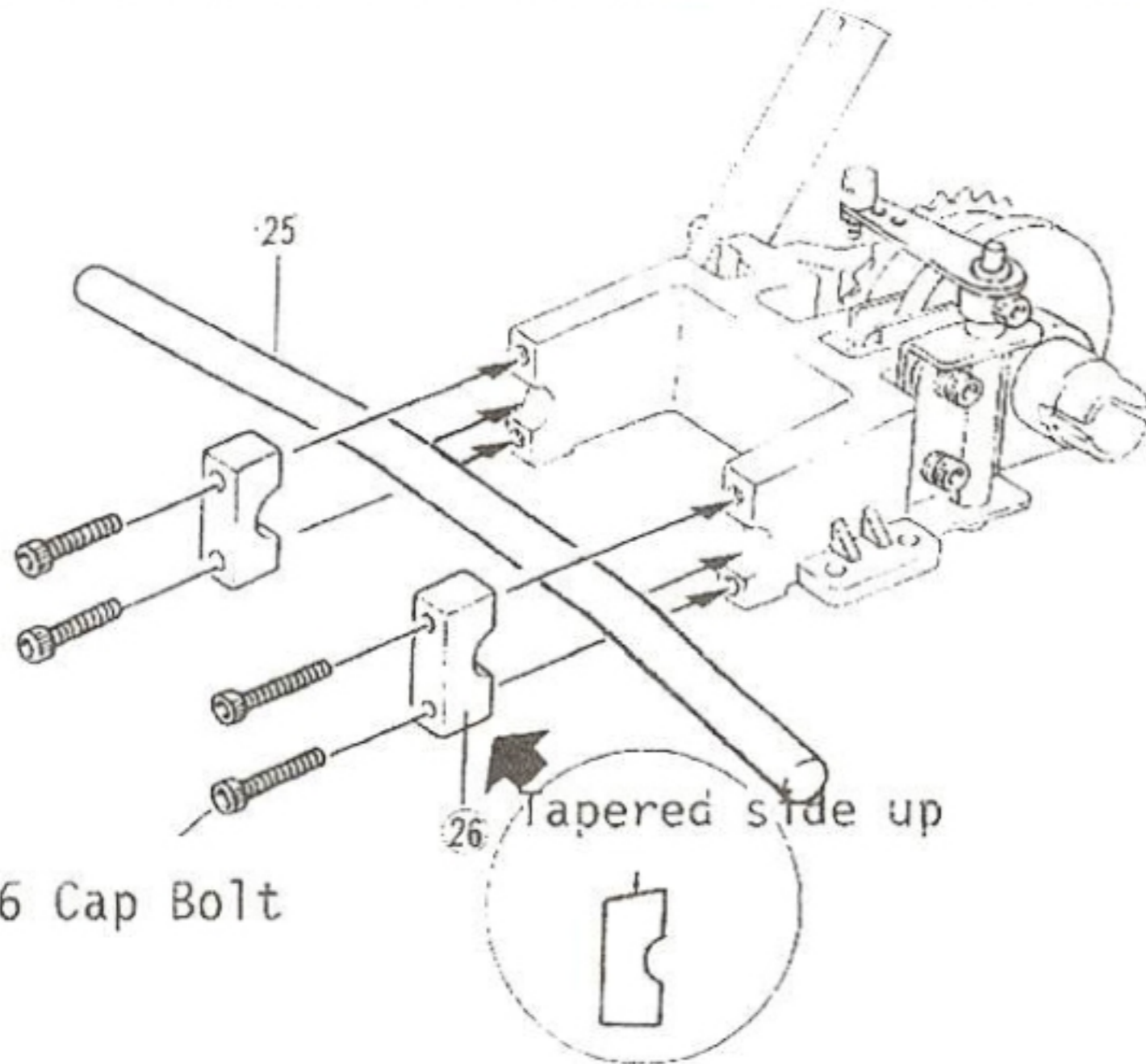
6 Insert the brake pin (44) as shown in the drawing, and bolt in order 46 45 23 and 18.



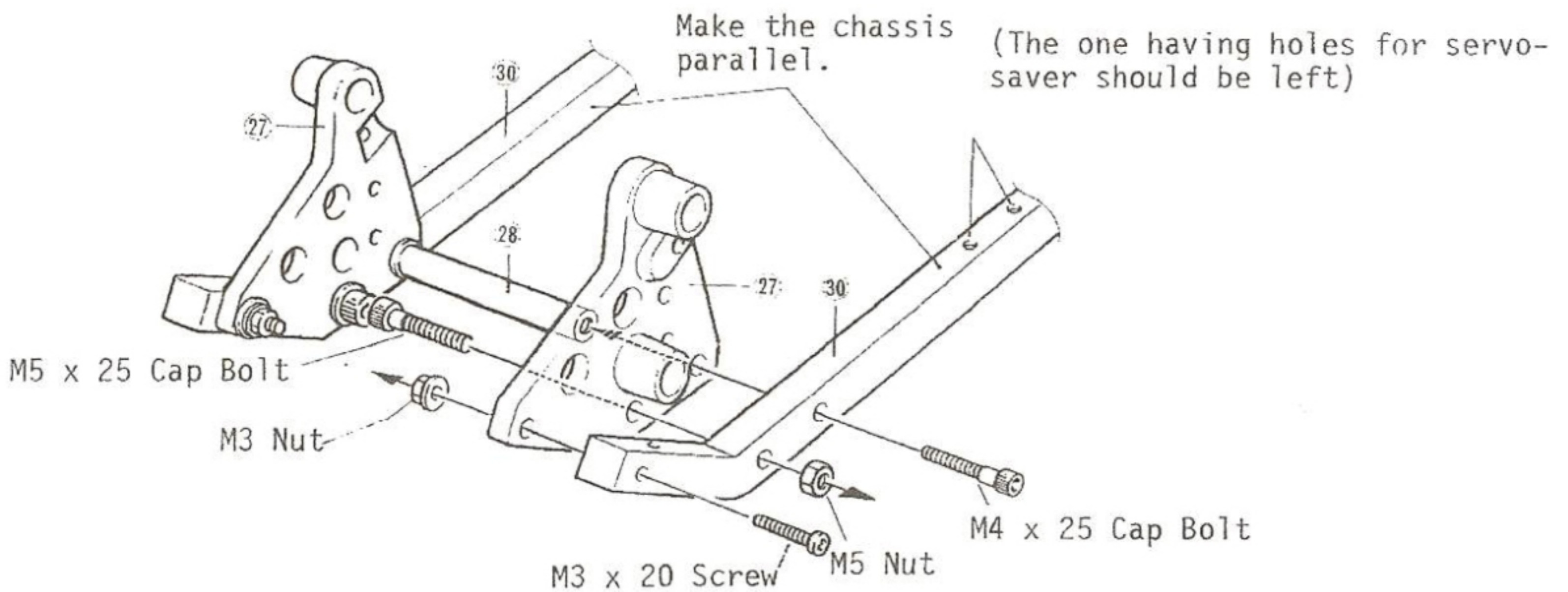
7 Fix the linkage guide 85 onto the brake horn 20, then install the assembly to the brake shaft 19 in parallel with the rear axle.



8 Install firmly the rear suspension arm axle 25 with the stopper 26 as illustrated.

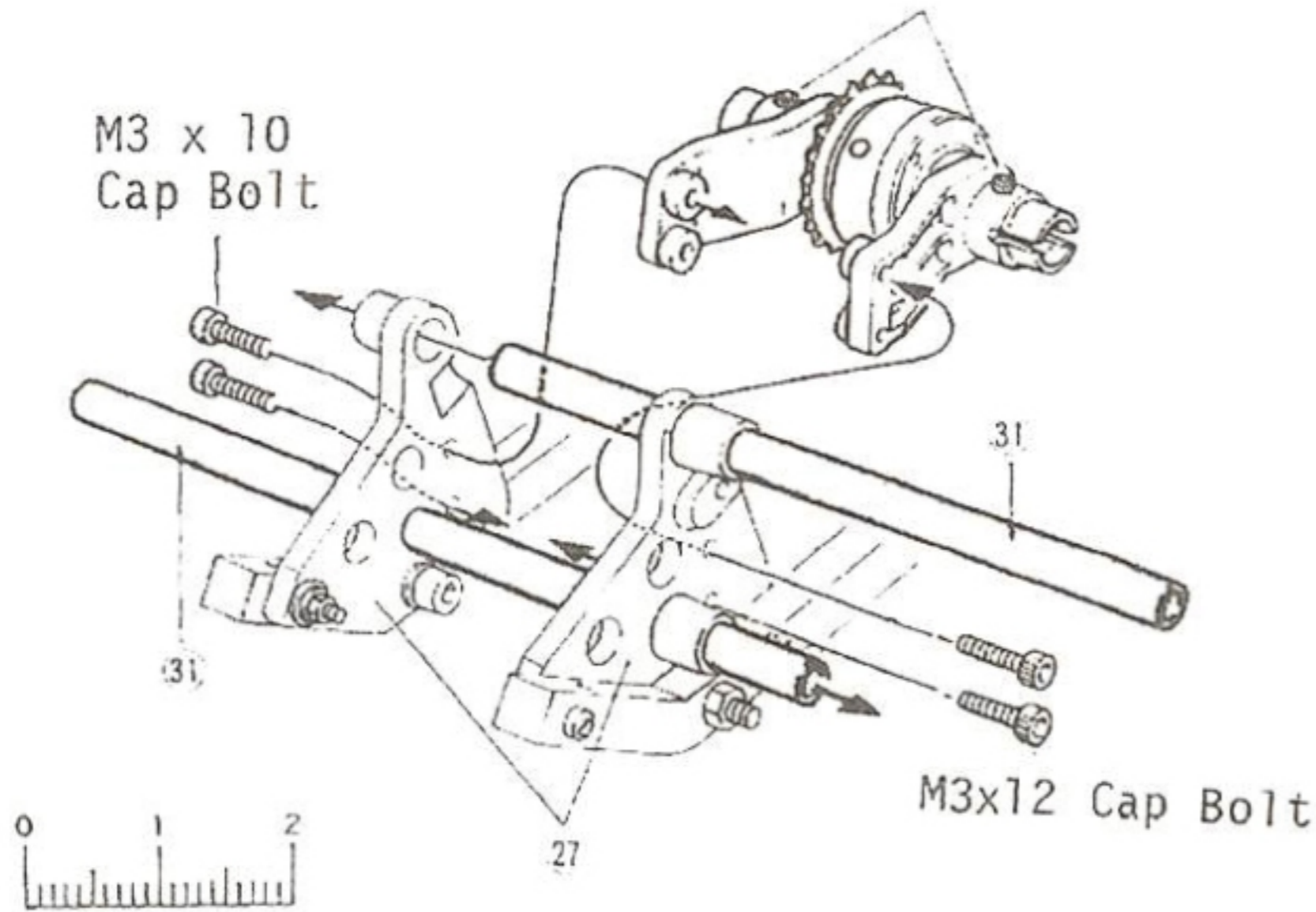


9 Install onto the main chassis 30 the front axle mount 27 and the joint collar 28 as illustrated.

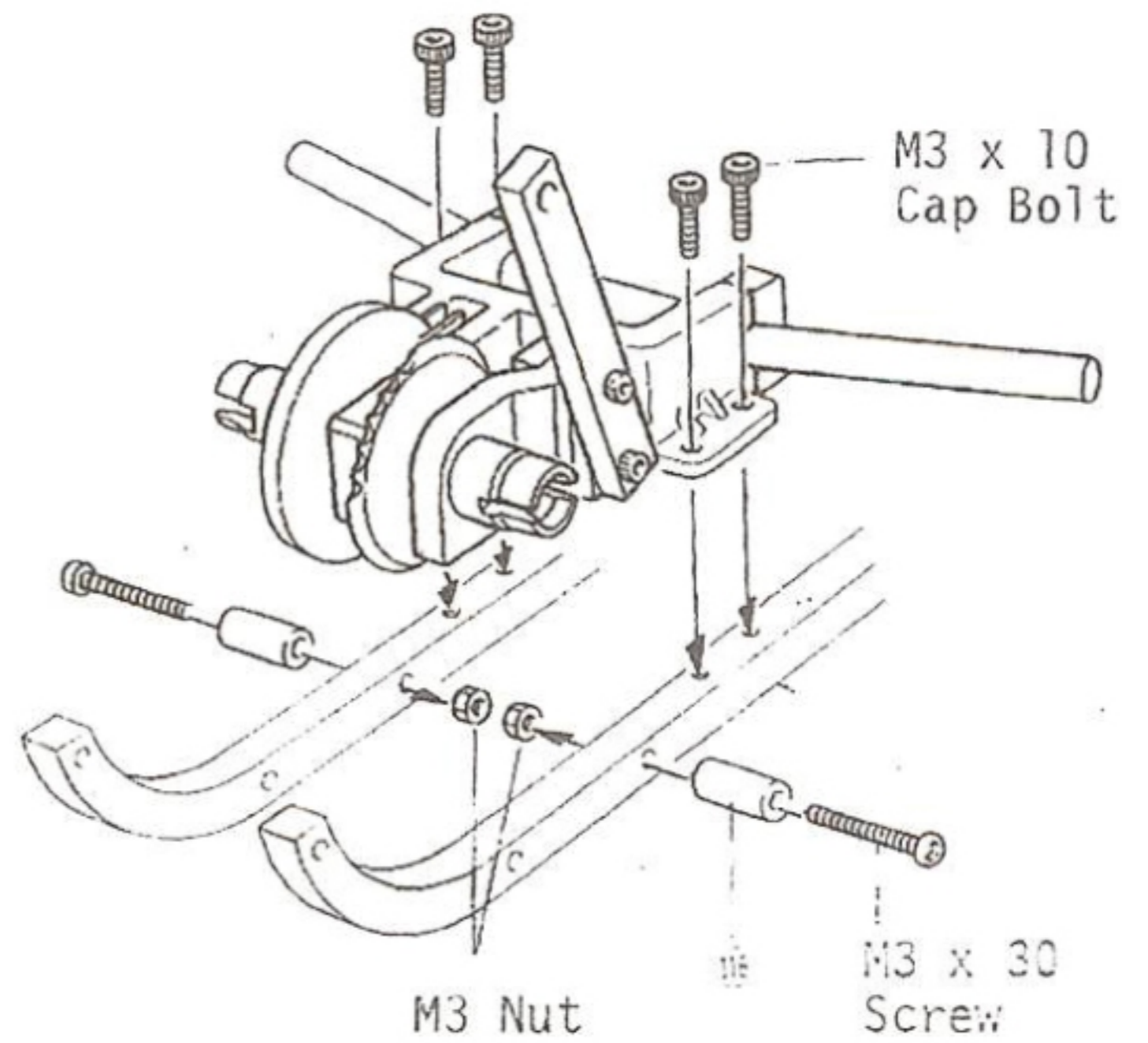


10 Install the completed torque clutch parts onto the front axle mount 27. Have front arm axle B 31 inserted through the mount 27.

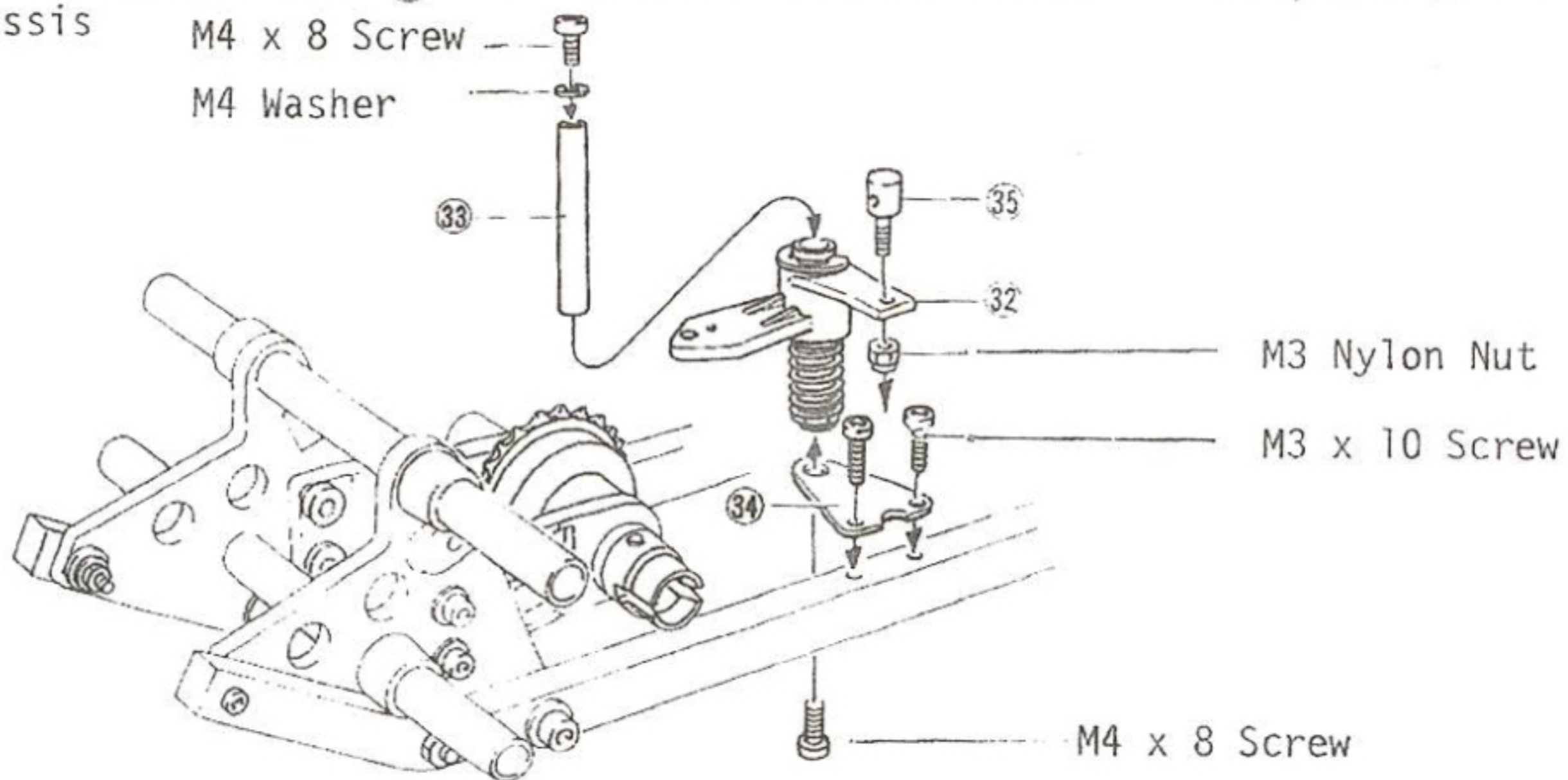
Loosen up once and after setting in place has been finished, tighten so there will not be too much play on both side.



11 Install completed rear axle part onto the chassis. Also install the rear stopper 110 onto the chassis as illustrated.

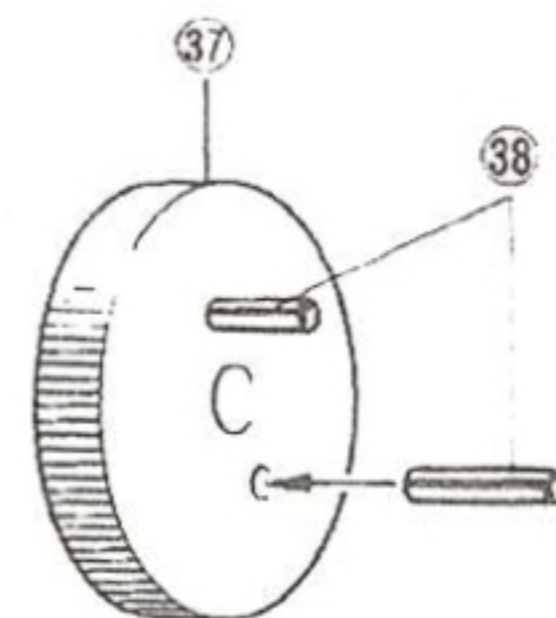
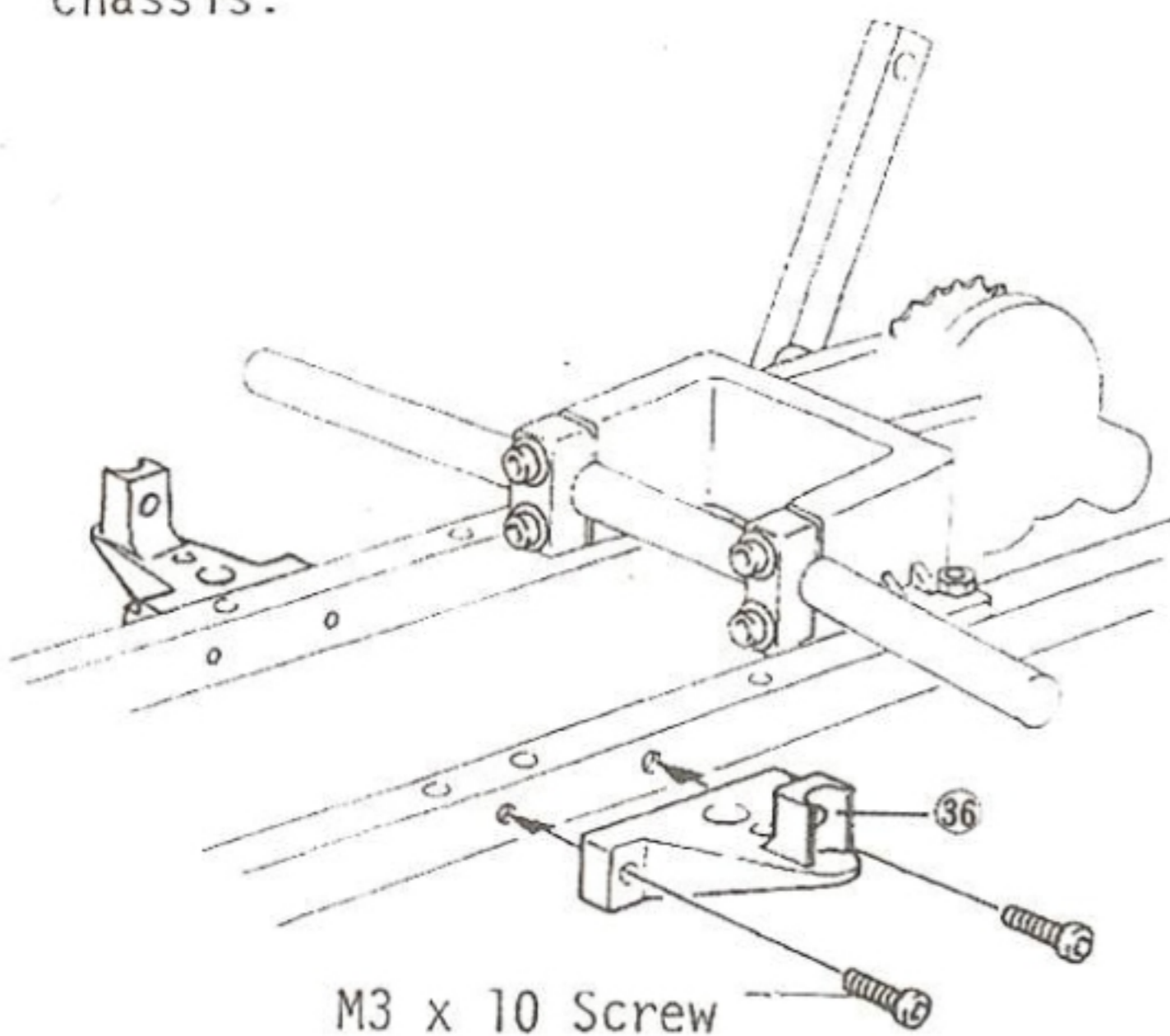


12 Install the linkage guide 35 onto the servo saver 32 so it will move freely. Next install the servo saver 32 the servo saver installation hardware 34 and then onto the chassis

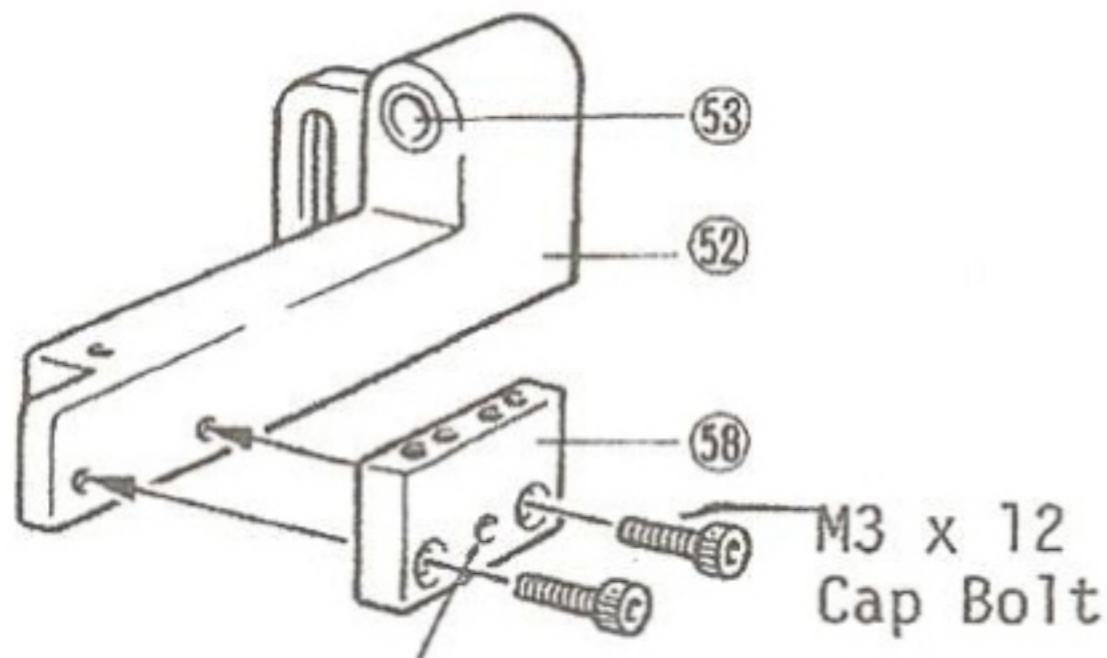


13 Install the side member 36 onto main chassis.

14 Tap in the clutch pin 38 into flywheel 37.



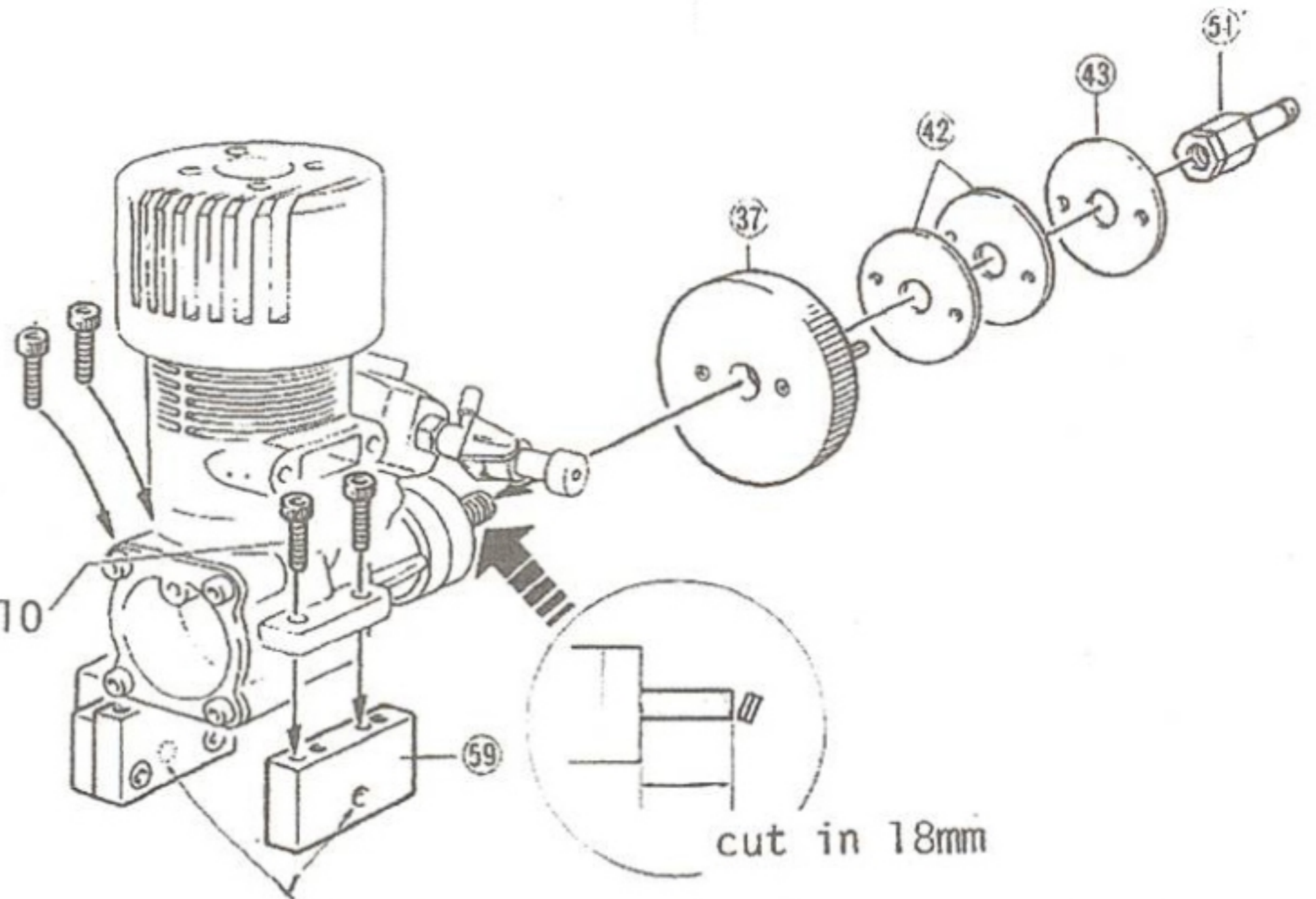
15 Engine mount (A) 58 is installed to spur gear mount 62 with M3 x 10 screw but be aware that the OS and Enya engine installation direction is different. Install by observing the illustration closely.



In case the circle mark is in the location shown in the illustration, it is for the OS21. The circle mark for the Enya 21CX will be on the opposite side.

M3 x 10
Cap
Bolt

16 When using Enya 19X or 21X, first engine mount (B) 59 is installed so that the side with the circle mark will face outward, then insert onto the engine shaft in the order of flywheel spacer 42, flywheel 37, clutch sheet 43 and install firmly so it will not loosen with pilot shaft 51.

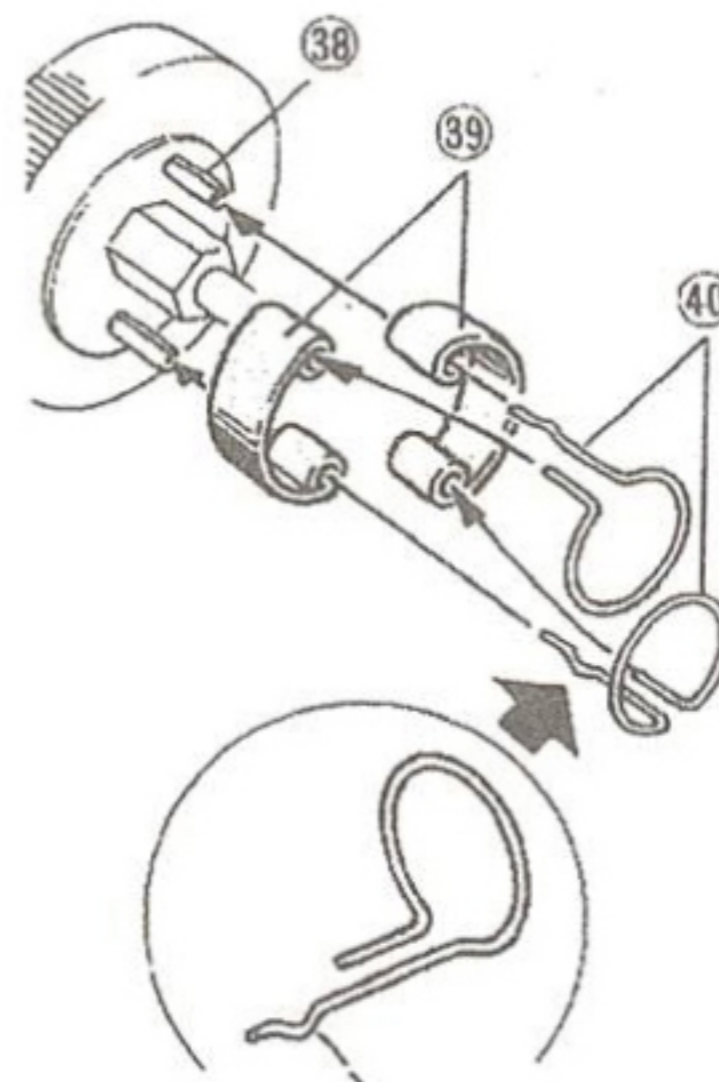
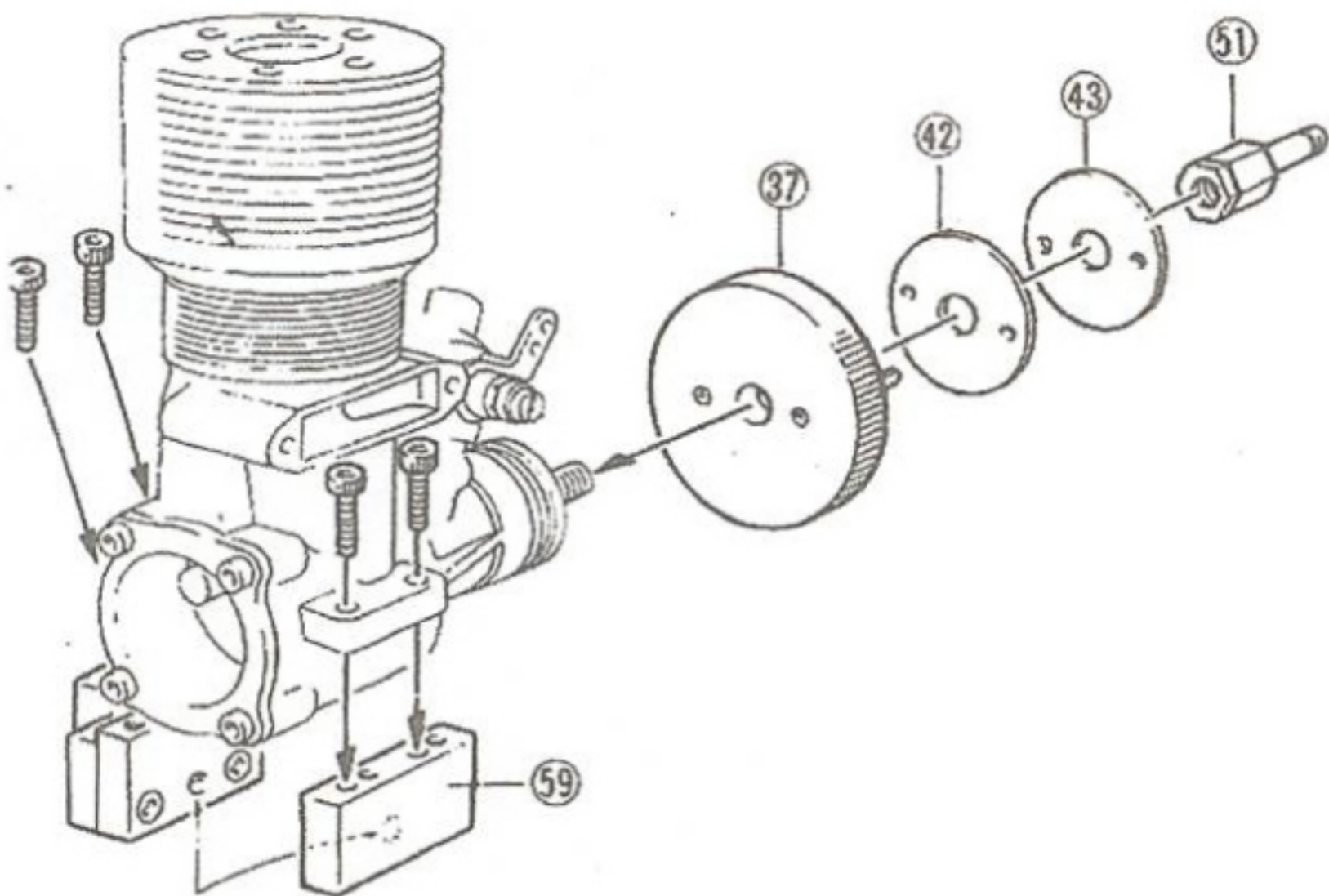


cut in 18mm

The round mark should be set outside

17 When using the OS21 engine, the engine mount B 59 is installed so the circle marked side will face inward and the flywheel 37, the spacer 42, the clutch sheet 43 are inserted in sequence and tightened firmly into place with the the pilot shaft 51.

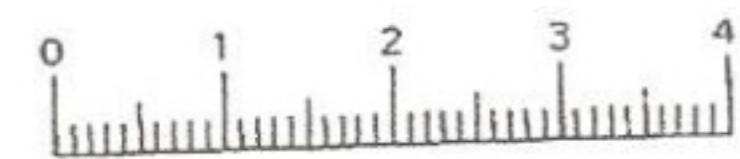
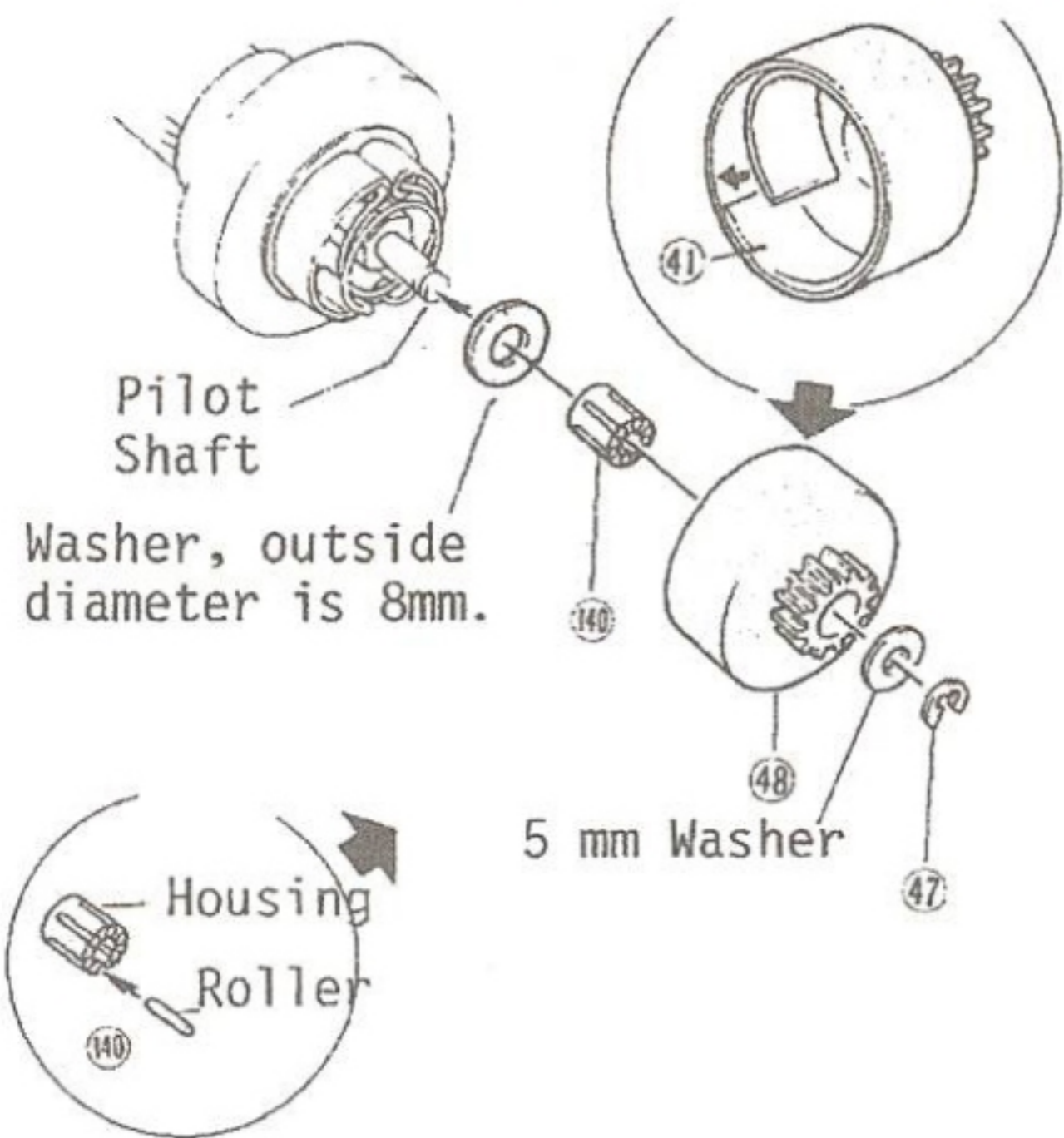
18 Install the clutch shoe 39 onto the clutch pin 38, insert long side of the clutch spring 40 into the hole of the clutch pin 38 and the shorter side into the hole of clutch shoe 39.



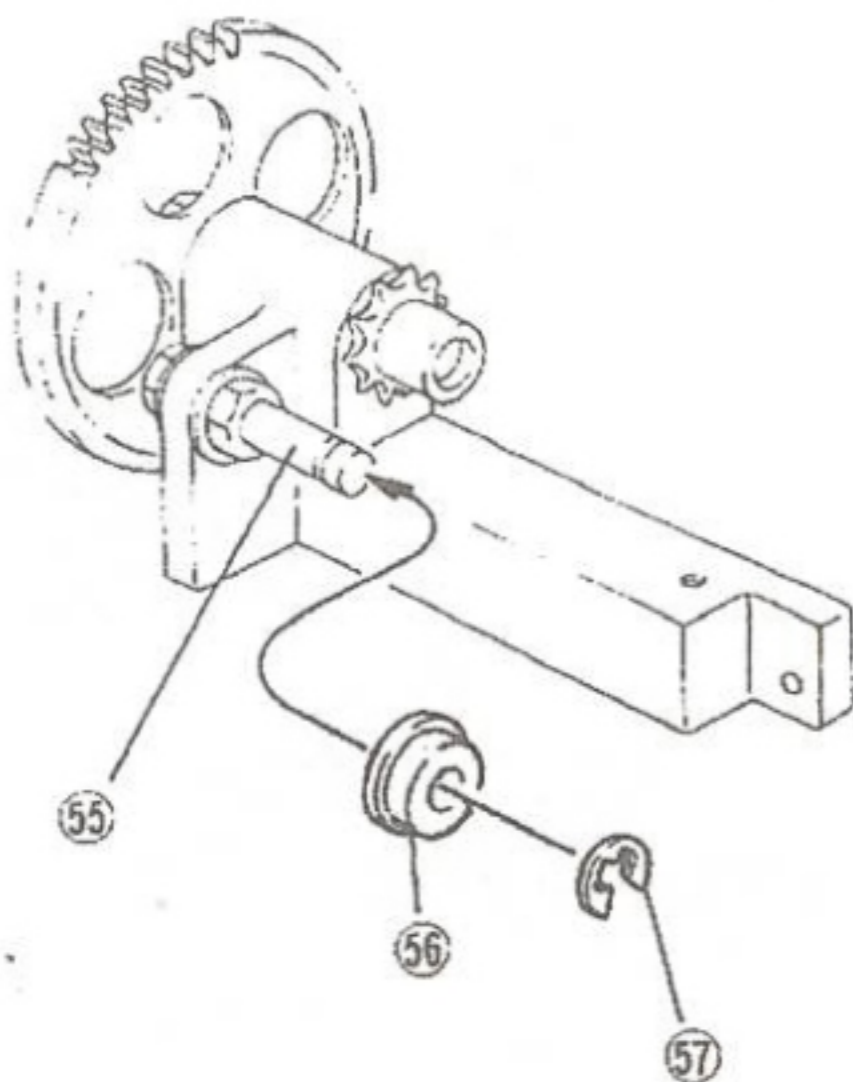
bend longer side as illustrated, so it will not be loosened.

The round mark should be set inside.

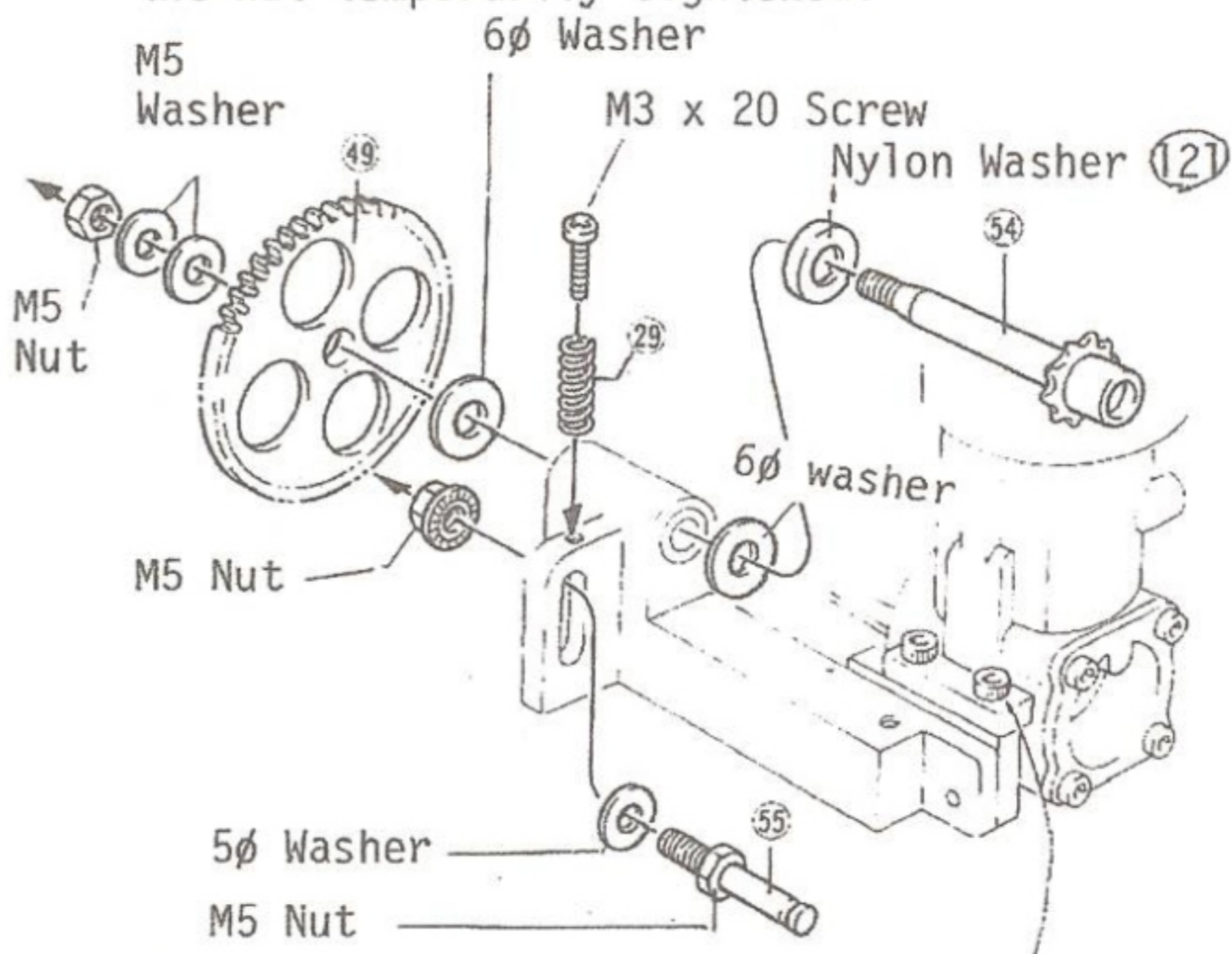
19 Insert the clutch bearing rollers into the casing. Fix in sequence 8 mm washer, clutch bearing (140), clutch bell (48), and 5 mm washer and secure the parts with the E ring (47) clipped at the tip of the pilot shaft. Thrust in the lining (41) in the position without glue.



21 Fit onto the tensioner shaft (55) the tensioner guide (56) and set into place with E ring (57).



20 Insert the spur gear shaft (54) through each washer and tighten into place so it will not loosen up with M5 nut. Next screw on M5 nut onto the tensioner shaft (55) and install as illustrated by inserting the washers. As this tensioner shaft (55) is used to adjust the tension of the chain after the chain has been installed, have the nut temporarily tightened.

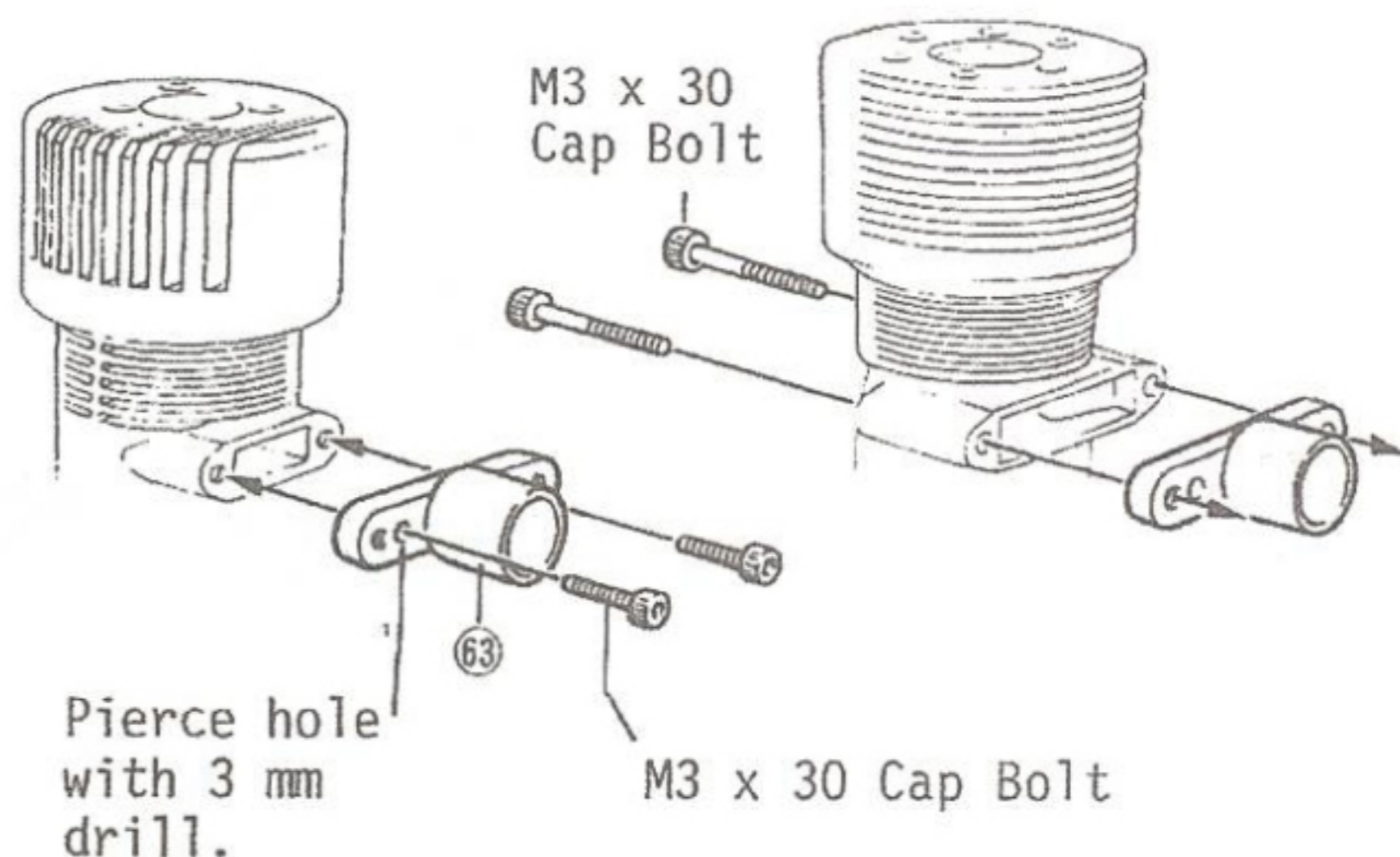


*The back lash of the clutch bell (48) and the spur gear (49) is adjusted by loosening engine stabilizing bolt.

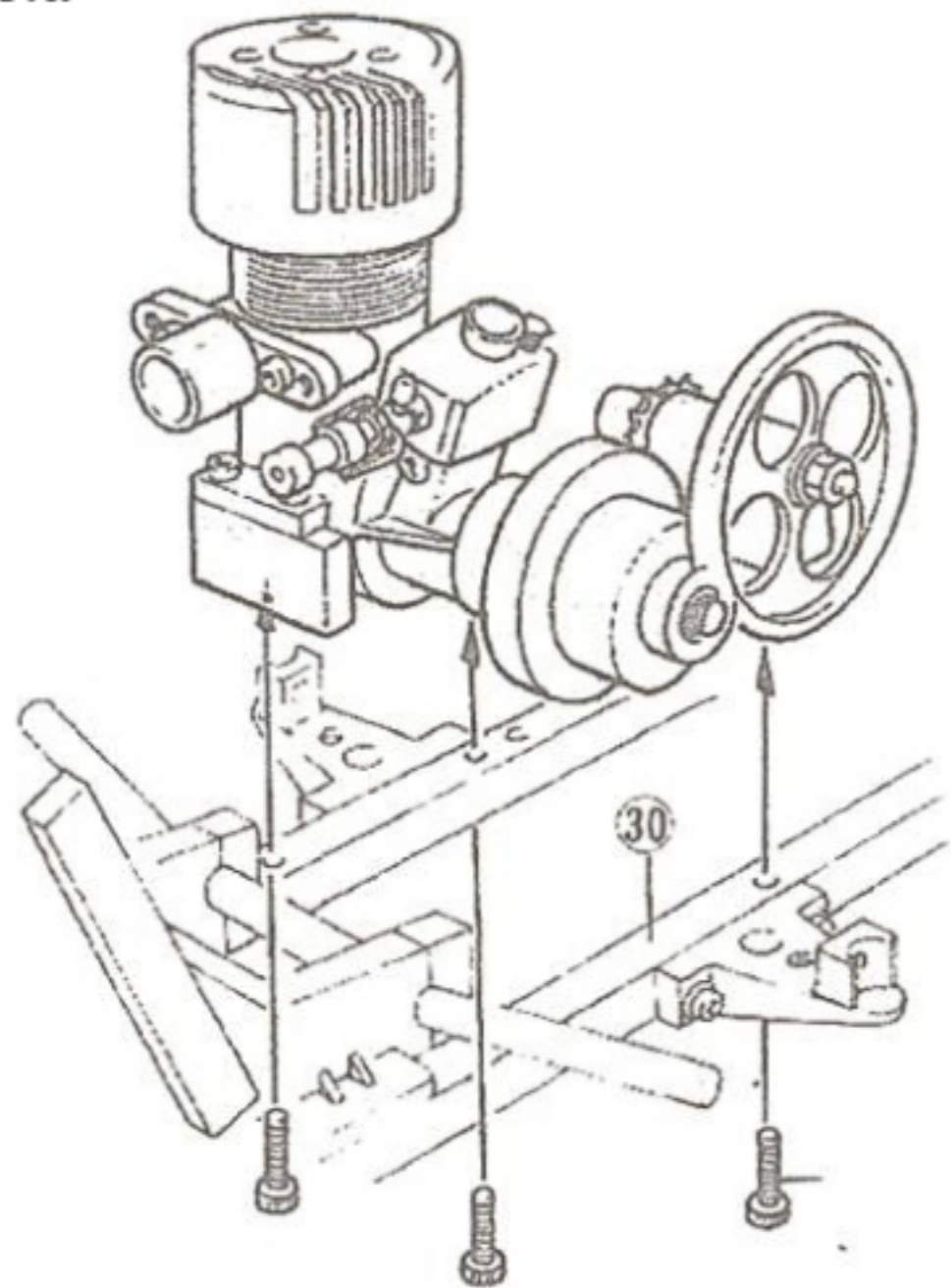
22 The muffler adapter (63) is installed onto the engine but be aware that the installation direction of the OS21 and Enya 21 is different. Install according to the illustration. Also, it is recommended to apply bath corking in between the engine and the muffler adapter (63) to avoid exhaust leakage.

[Enya 19,21X]

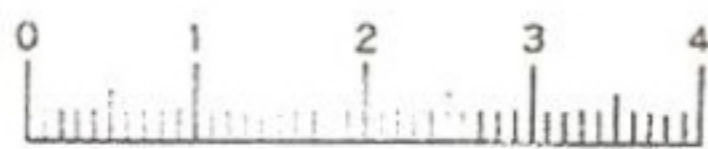
[OS21, Enya 21CX]



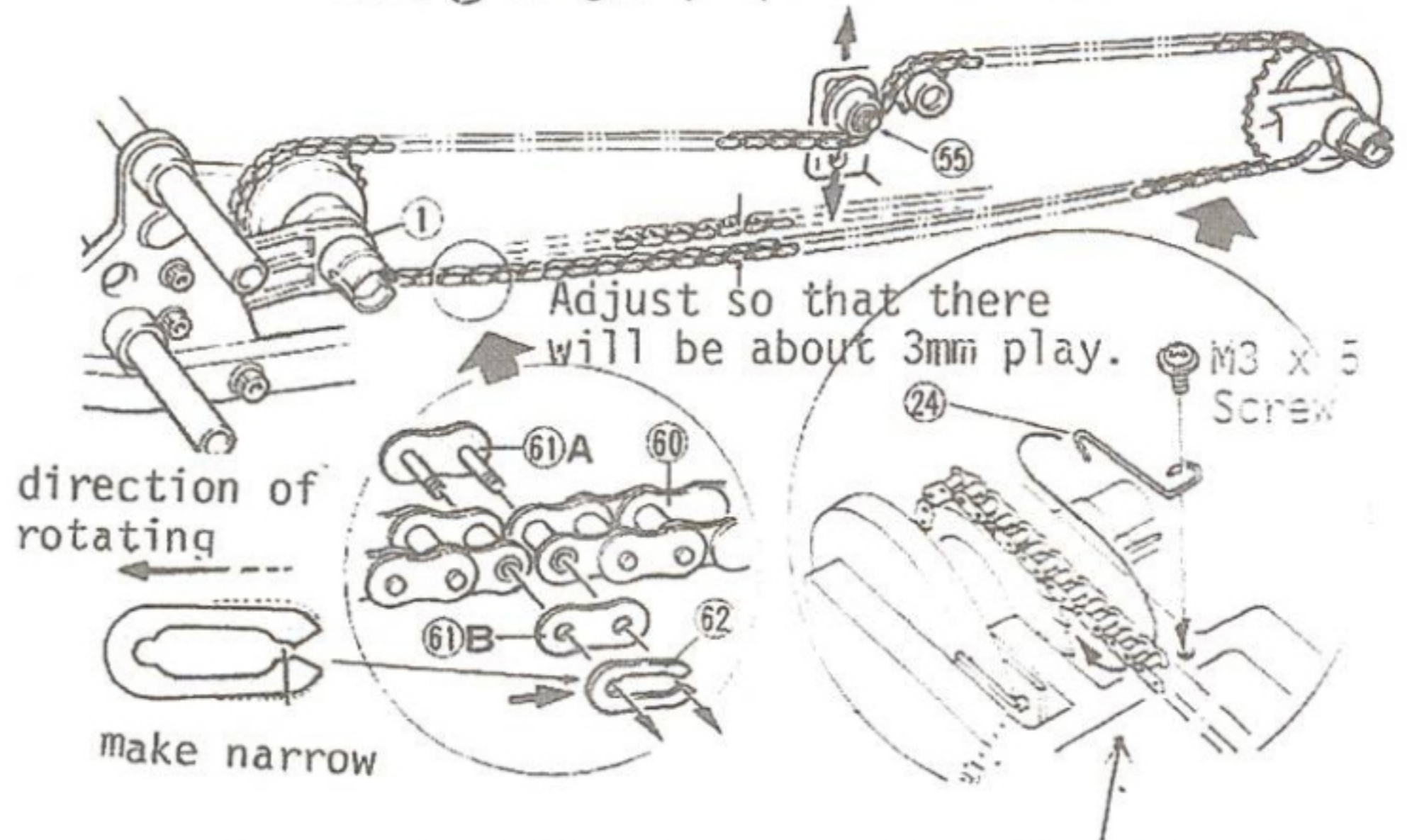
23 The completed power unit is installed onto the main chassis with M3 x 18 the cap bolt.



M3 x 18 Cap Bolt



24 The chain (60) for driving is set onto sprocket as illustrated, fit on the chain joint 61A, and 61B and joint with the chain clip 62. After joining of the chain 60 has been finished, adjust by moving the tension shaft 65 and the front axle 1 to get proper chain tension.

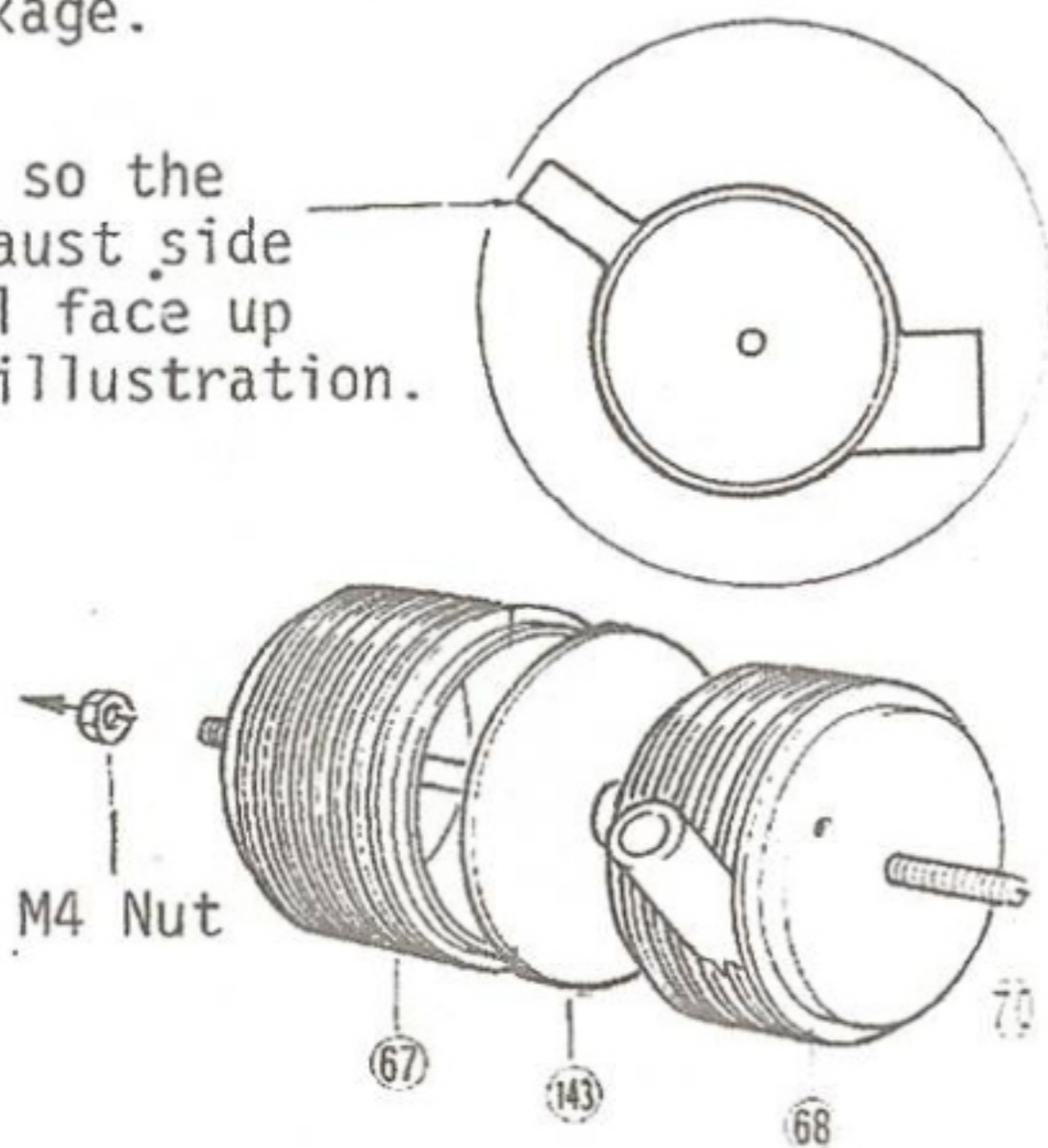


Before installin the chain clip 62, make space of clip narrower with the plier, so that it becomes will not be loosened.

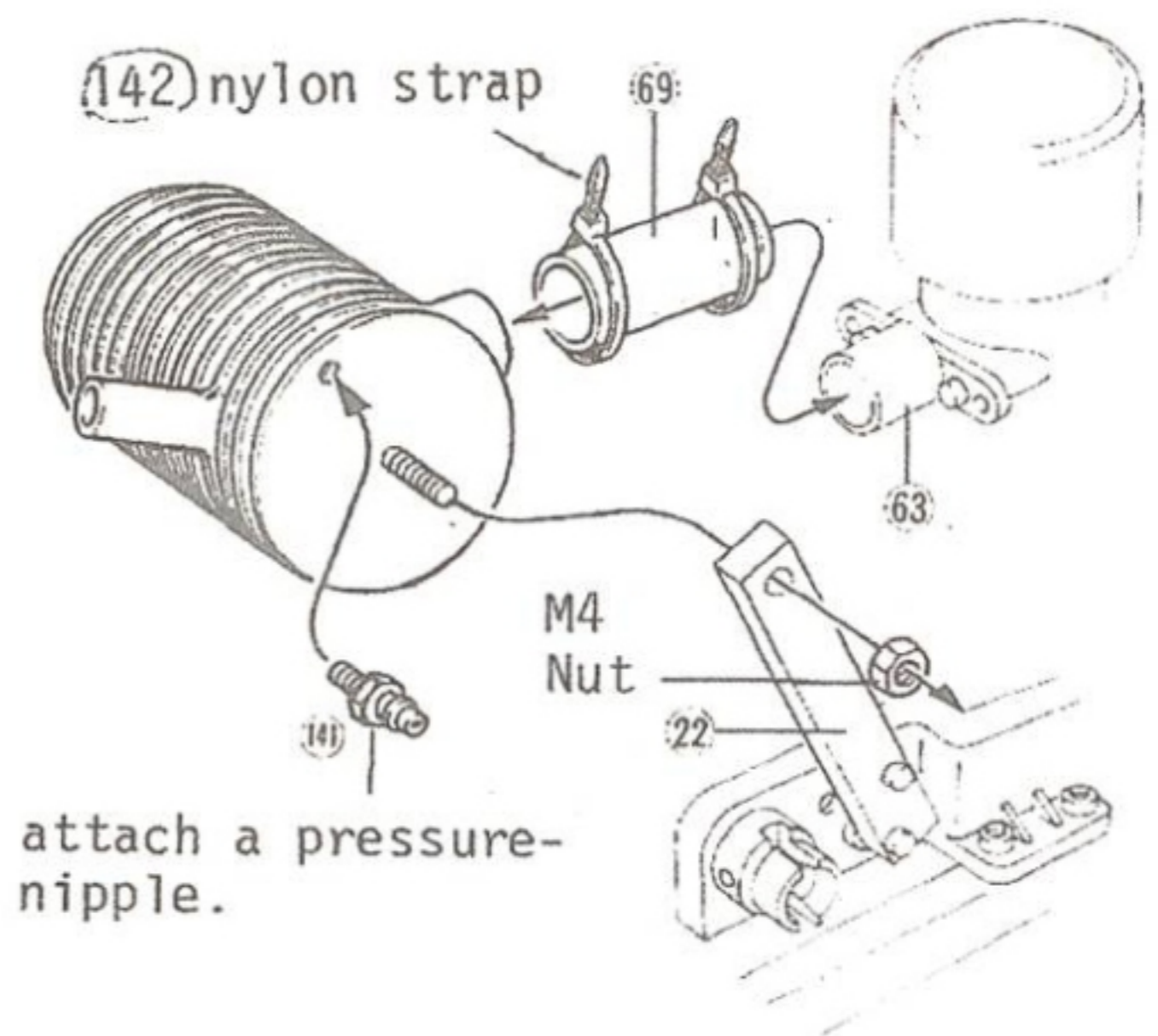
Install chain pin.

25 The muffler 67, 68 is assembled as illustrated but set into place so that the exhaust side of the pipe does not hit against the fuel tank. Also, it would be best if some kind or corking material is applied to the connection of the muffler to prevent exhaust leakage.

Set so the exhaust side will face up as illustration.

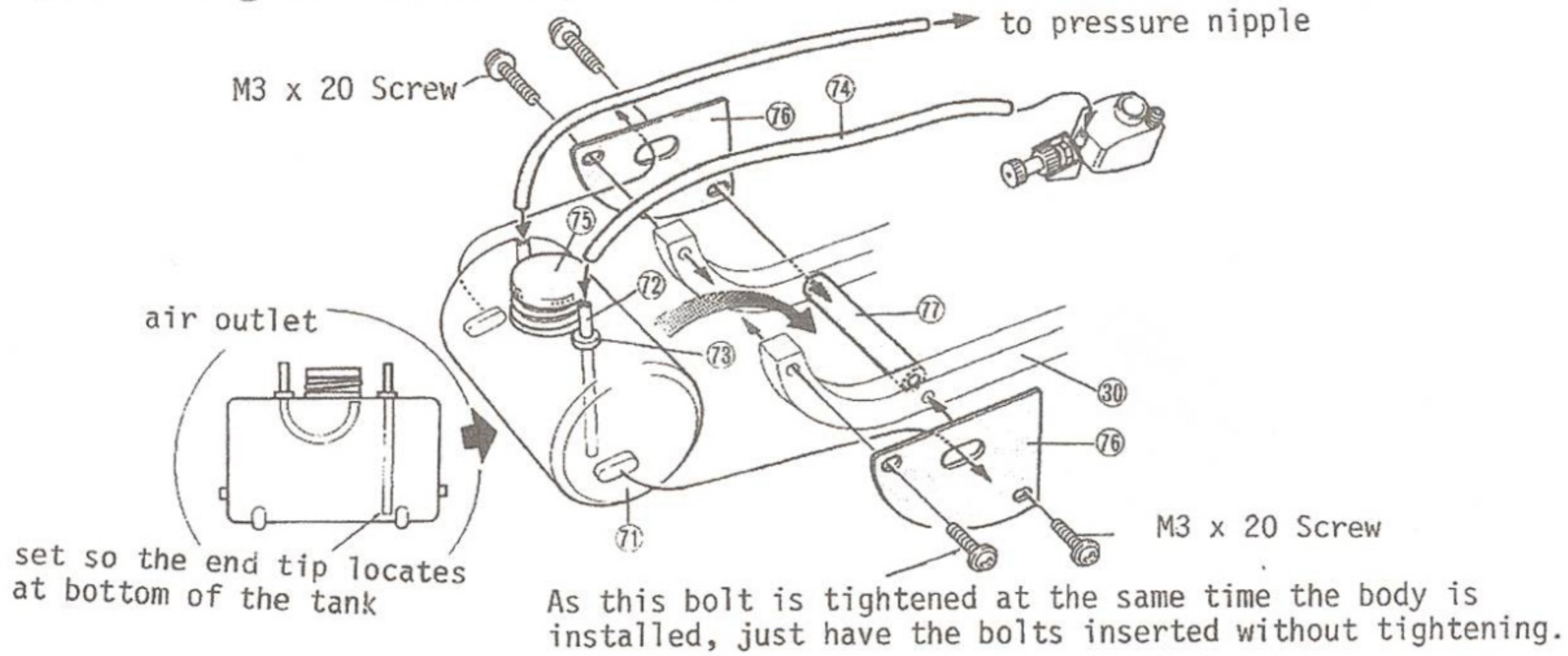


26 Connect the muffler adapter 63 with muffler onto the muffler pipe 69. And install muffler assembly onto the muffler bracket 22.

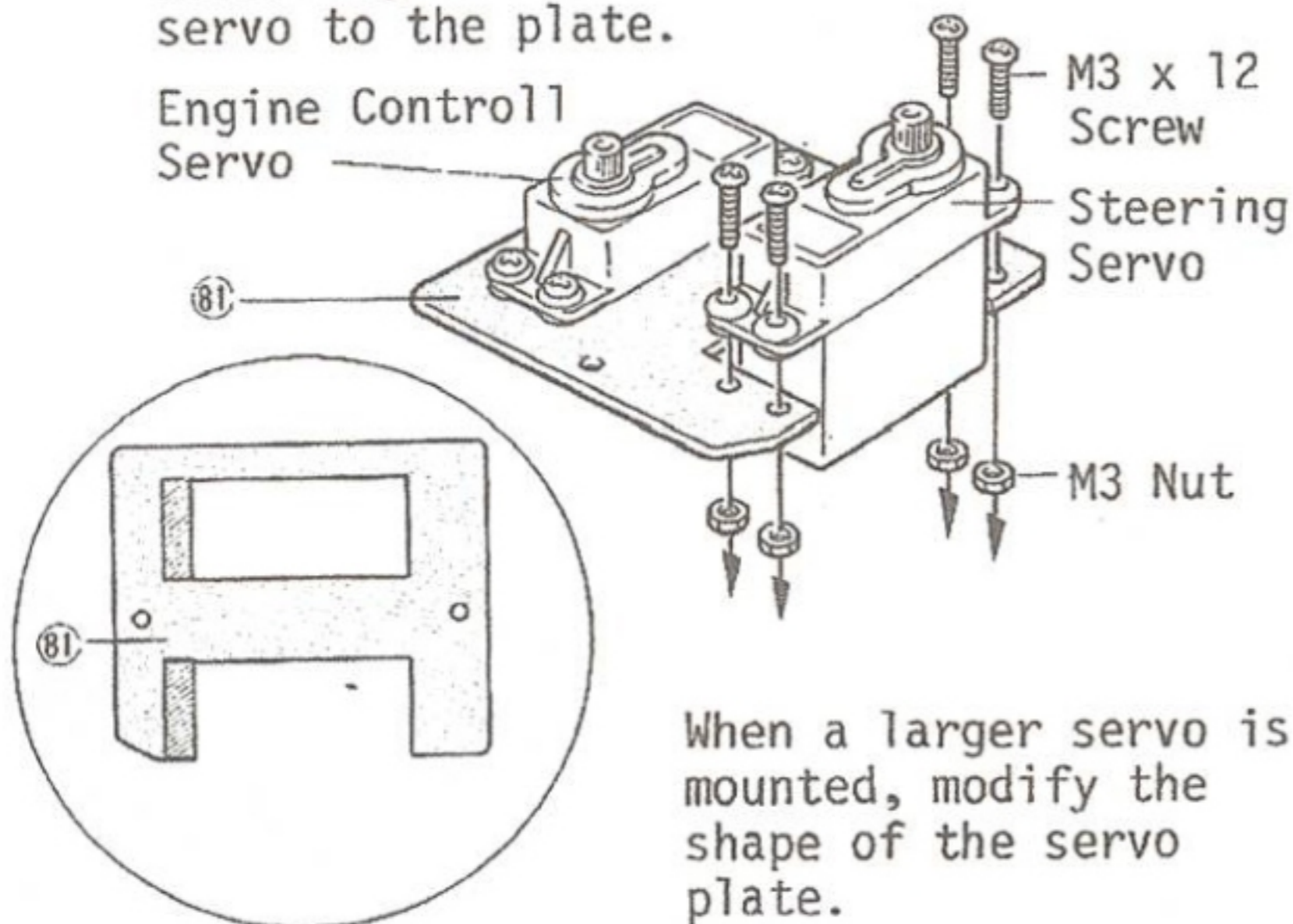


attach a pressure-nipple.

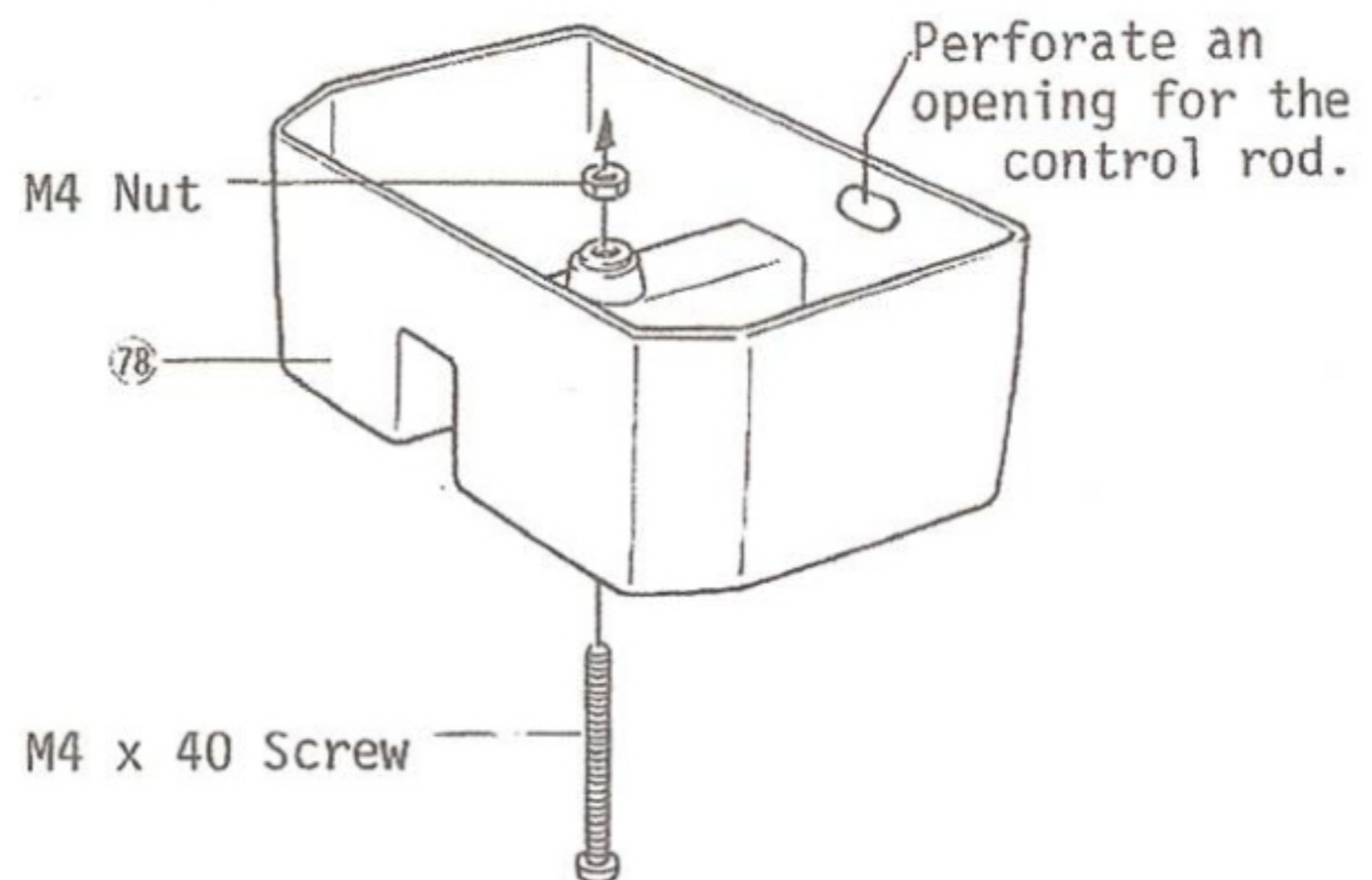
27 Install onto the fuel tank (71), the bushing (73), the pipe (72), and the cap (75) as illustrated. Next match the protruding part of the fuel tank (71) with the indented part on the fuel installation plate (76) and by setting the joint collar (77) in between the chassis (30) as if sandwiching the tank, install into place together.



28 Bore installing holes of 3 mm diameter on the servo plate in the positions according to the servo. Then bolt the servo to the plate.

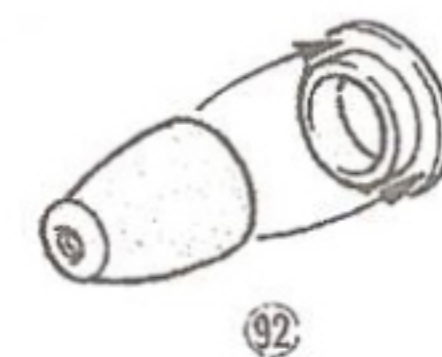
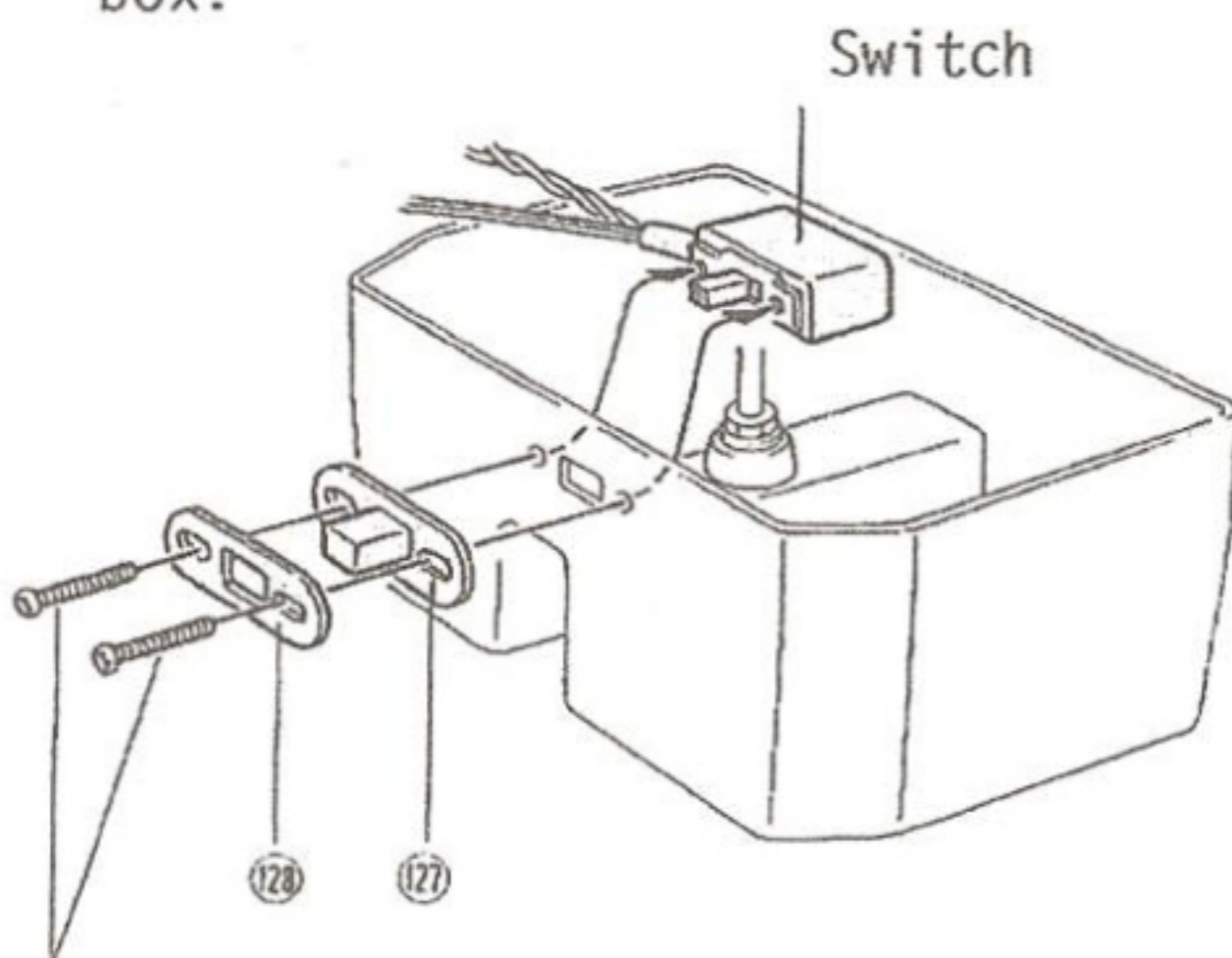


29 Fit the securing bolt for the R/C unit box cover to the R/C unit box (78).



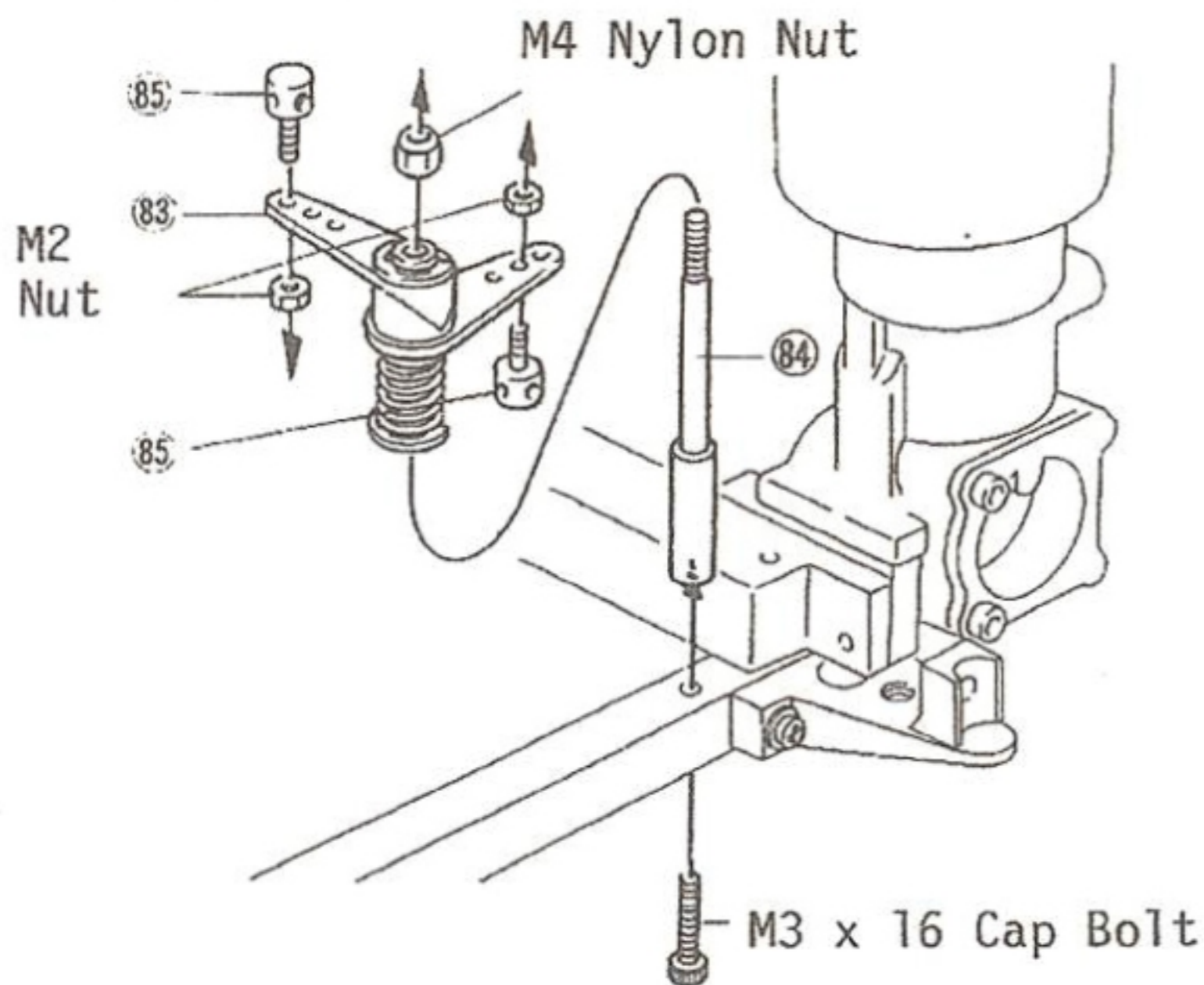
30 Fix the R/C unit switch in the R/C unit box.

31 Cement the particles of the boot for the control rod with instant glue.

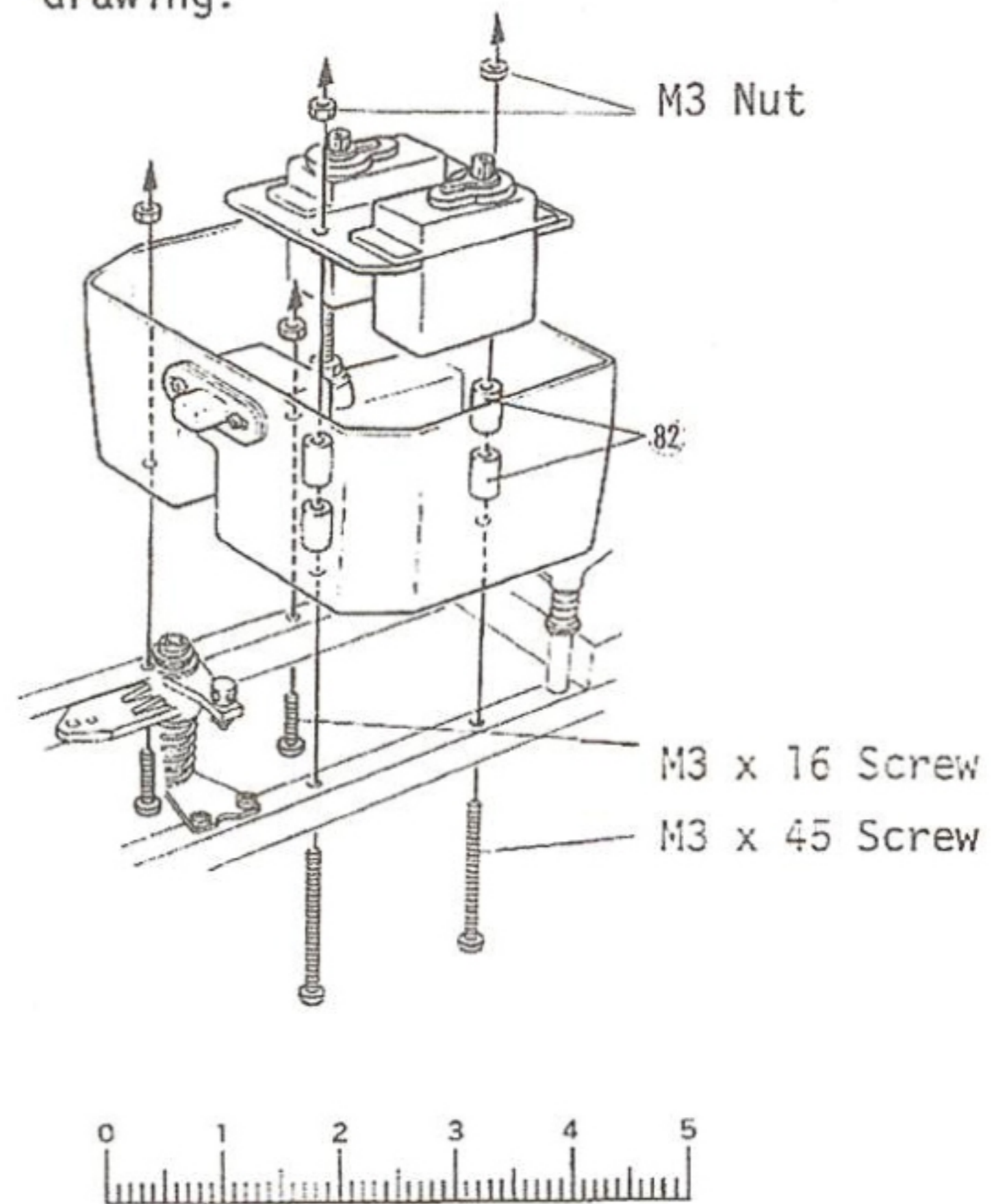


Bolt provided with your radio control set

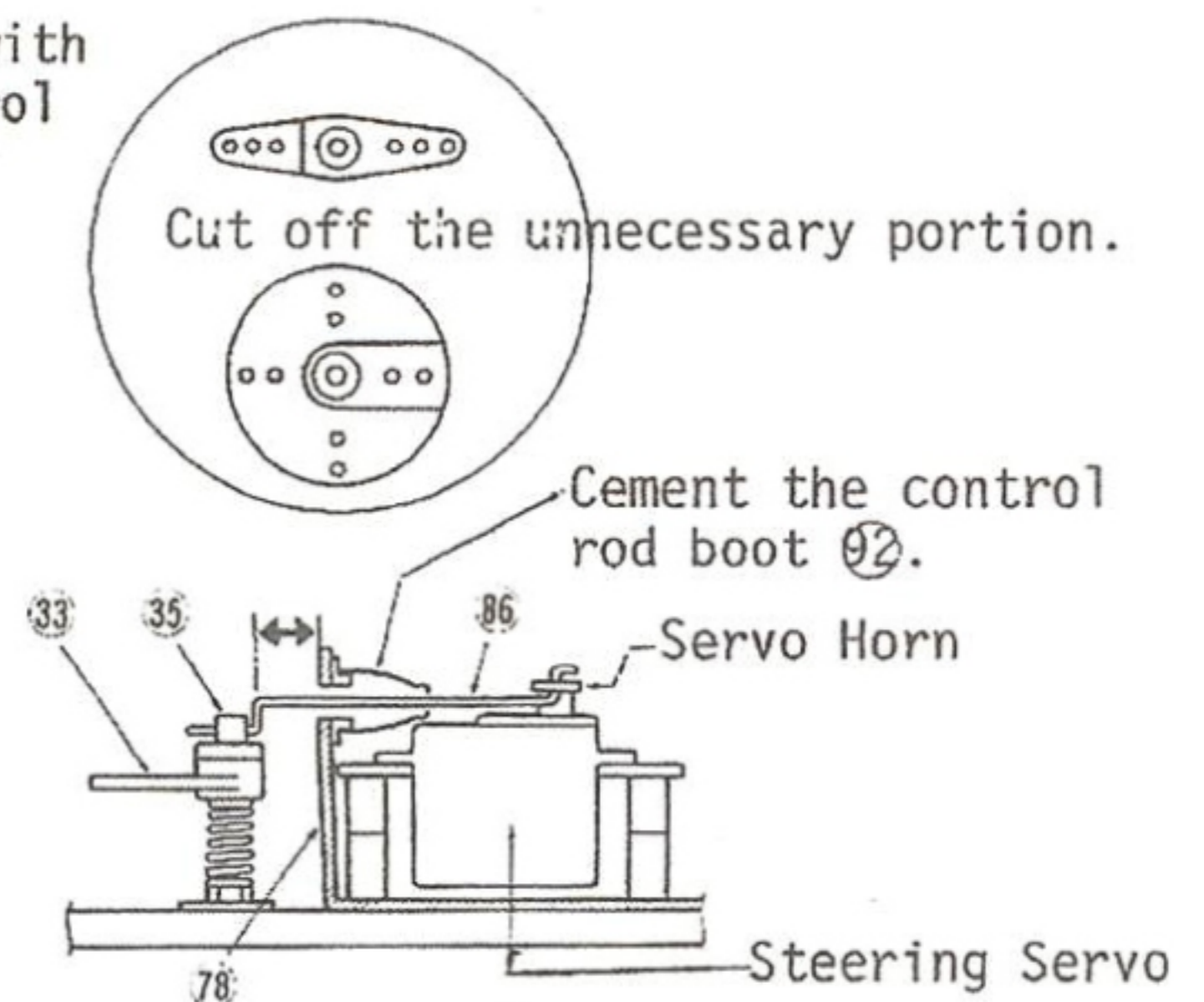
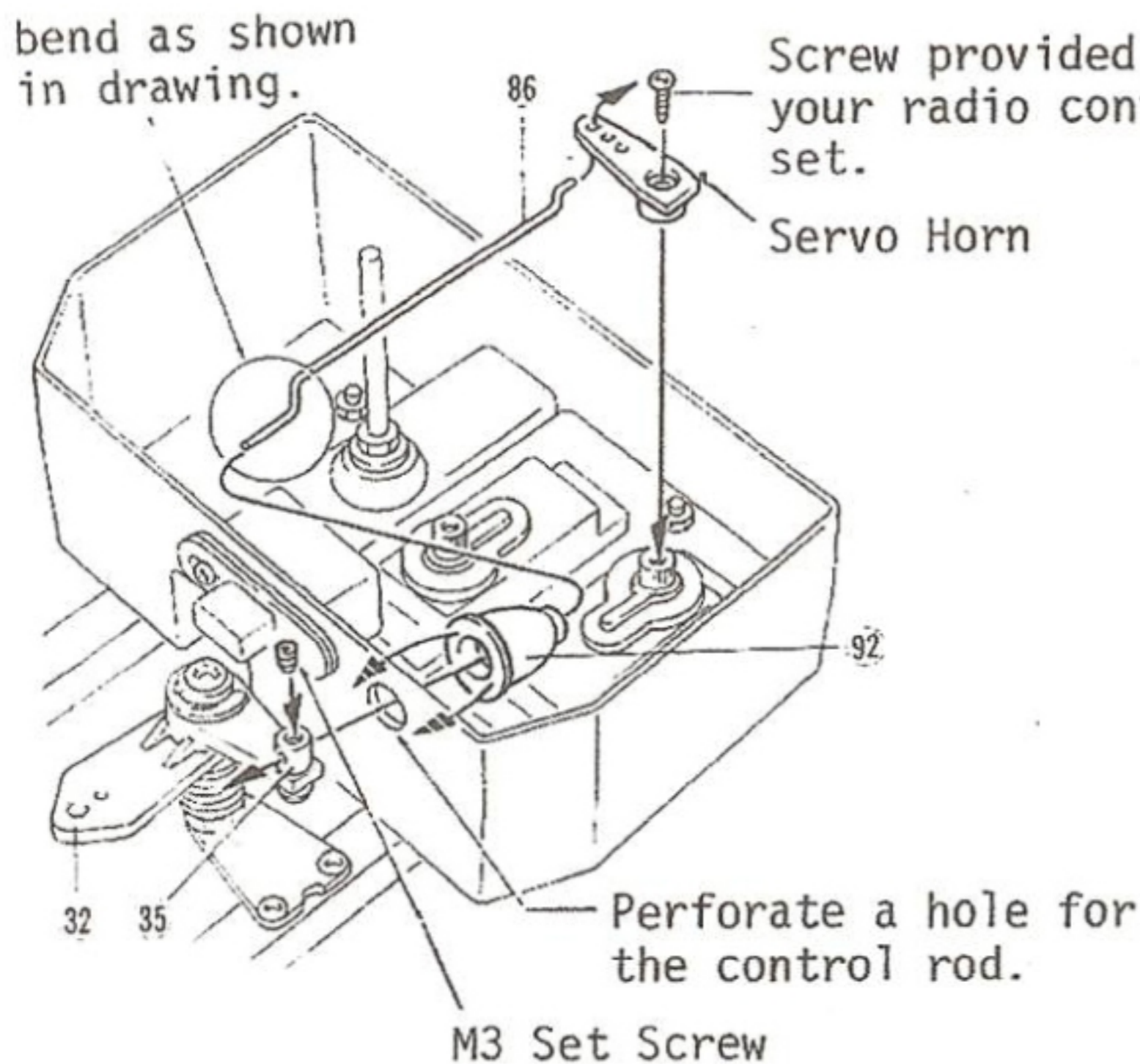
32 Install the throttle control saver installation shaft 84 onto the main chassis and install the linkage guide 85 to the throttle control saver 83 so it will move quite freely then insert into the shaft of 84 and is tightened into place with M4 nylon nut but be careful not to tighten M4 nylon insert nut too much as the servo saver should move freely.



33 Bolt the R/C unit box with the servo plate to the chassis as shown in the drawing.

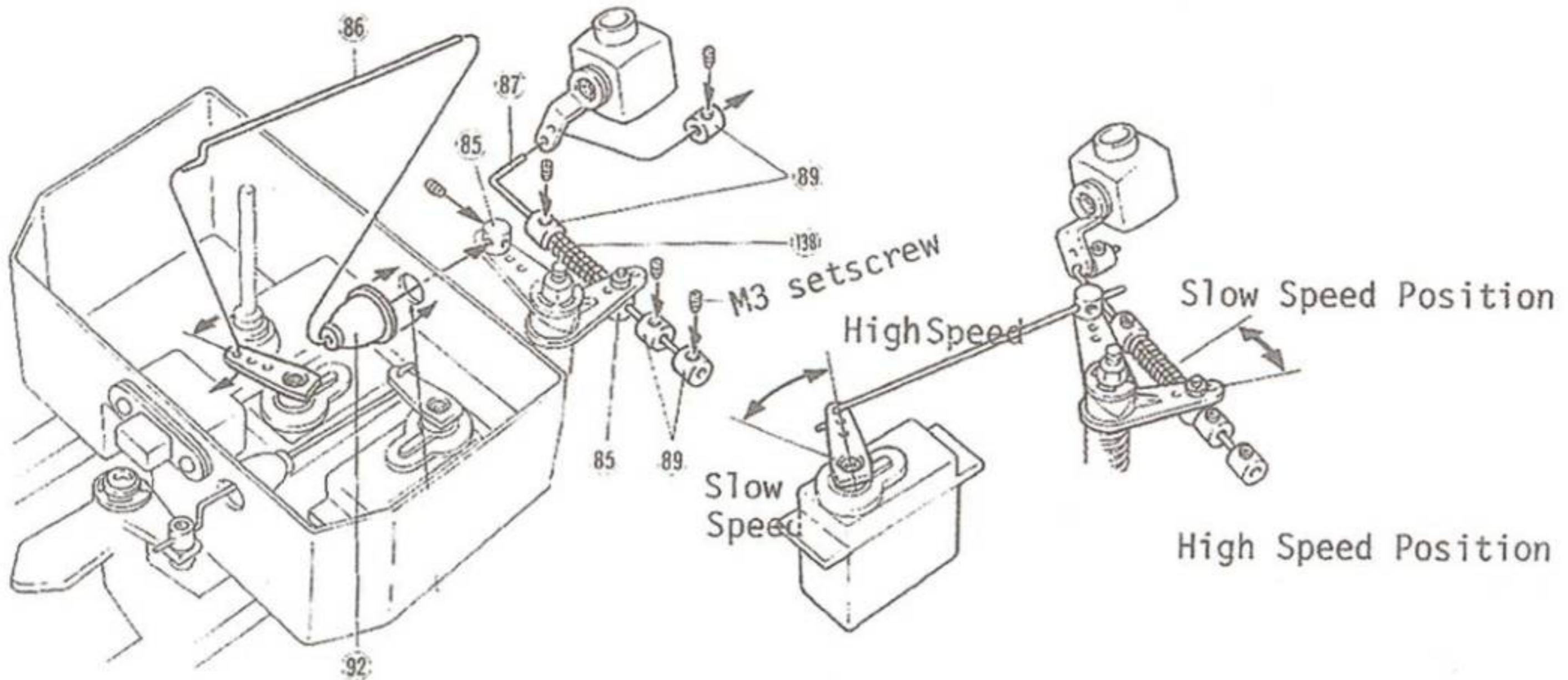


34 Mount the steering servo in an inversed way. Fix the control rod 86 to the linkage guide 35 with M3 setscrew through the opening, while keeping the servo horn and the servo saver 35 in the neutral position. When the length of the rod is determined, cement the linkage boot 92 to the R/c unit box.

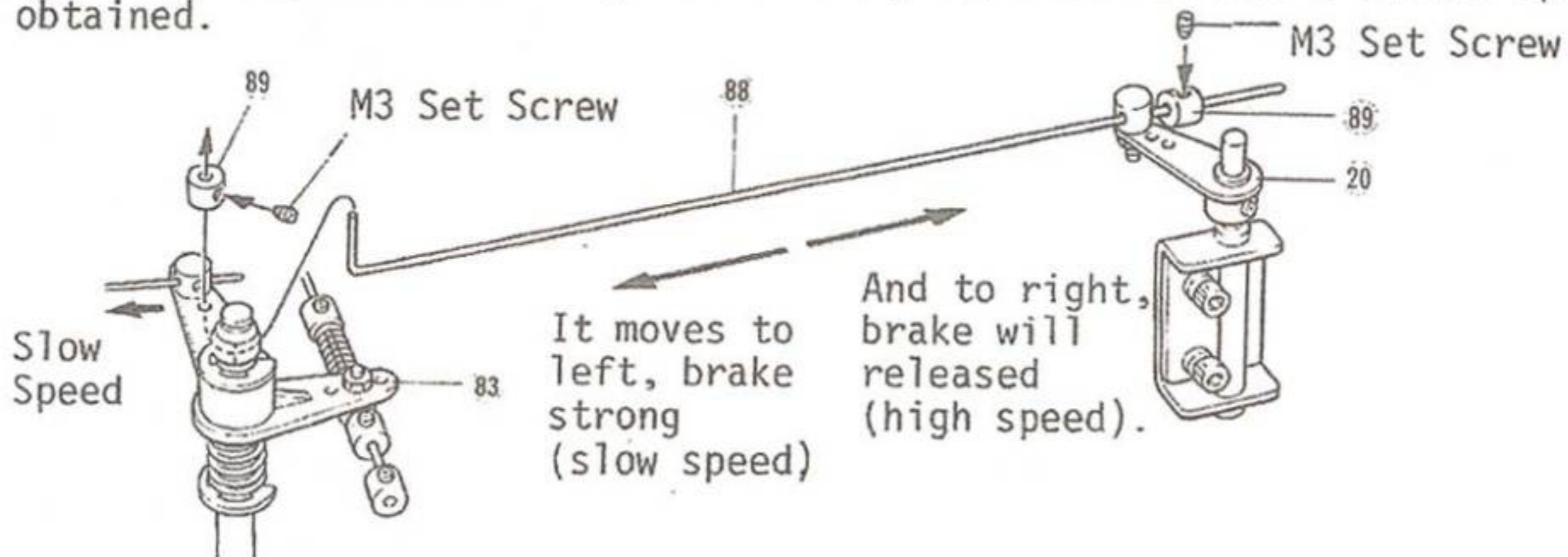


When the steering rod is linkaged, adjust so that the rod 86, the servo horn and the linkage guide 35 are positioned in the same height, and then bend the rod in crank-shape to adjust length. So the width marked in arrow should be in approximate 10 mm to 12 mm.

35 Insert the control rod (A) 86 through the rod boot 92 and connect the servo horn and the linkage guide 85, fixing it with a M3 setscrew while the servo is held in the slow speed position. Then link the engine throttle lever and the linkage guide 85 with the control rod (B) 87 fixing the engine control spring (138) and the linkage stopper 89 previously as shown in the drawing, and adjust the linkage in such a way that the engine throttle is in the slow speed setting when the engine control servo is set to the slow position. Lastly glue the linkage boot to the R/C unit box.

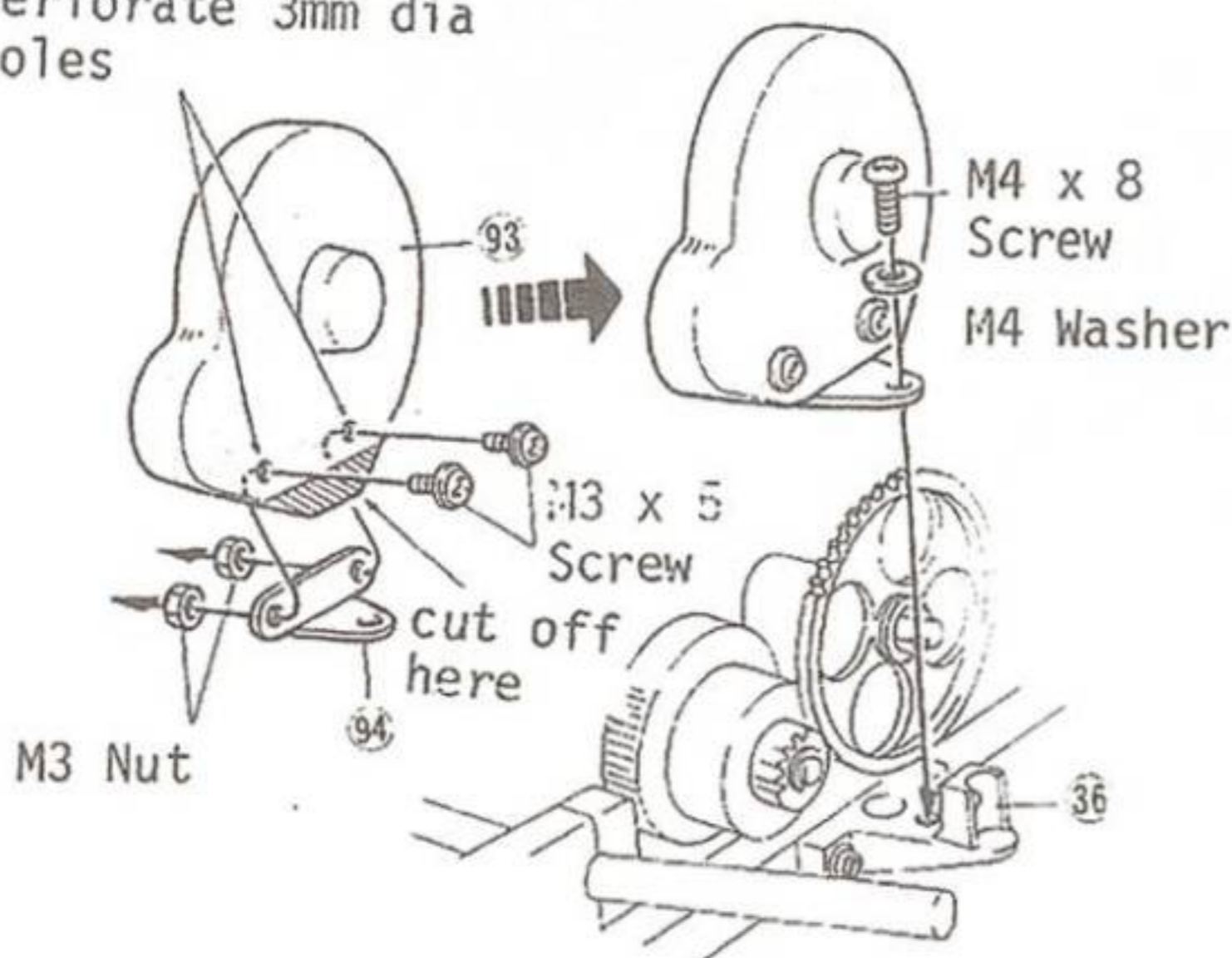


36 The brake horn 20 and the throttle control servo saver 83 is connected but first, keep the throttle control servo in the slow position and connect as illustrated. In case the linkage rod (C) 88 should hit against the engine, bend so that a smooth operation can be obtained.

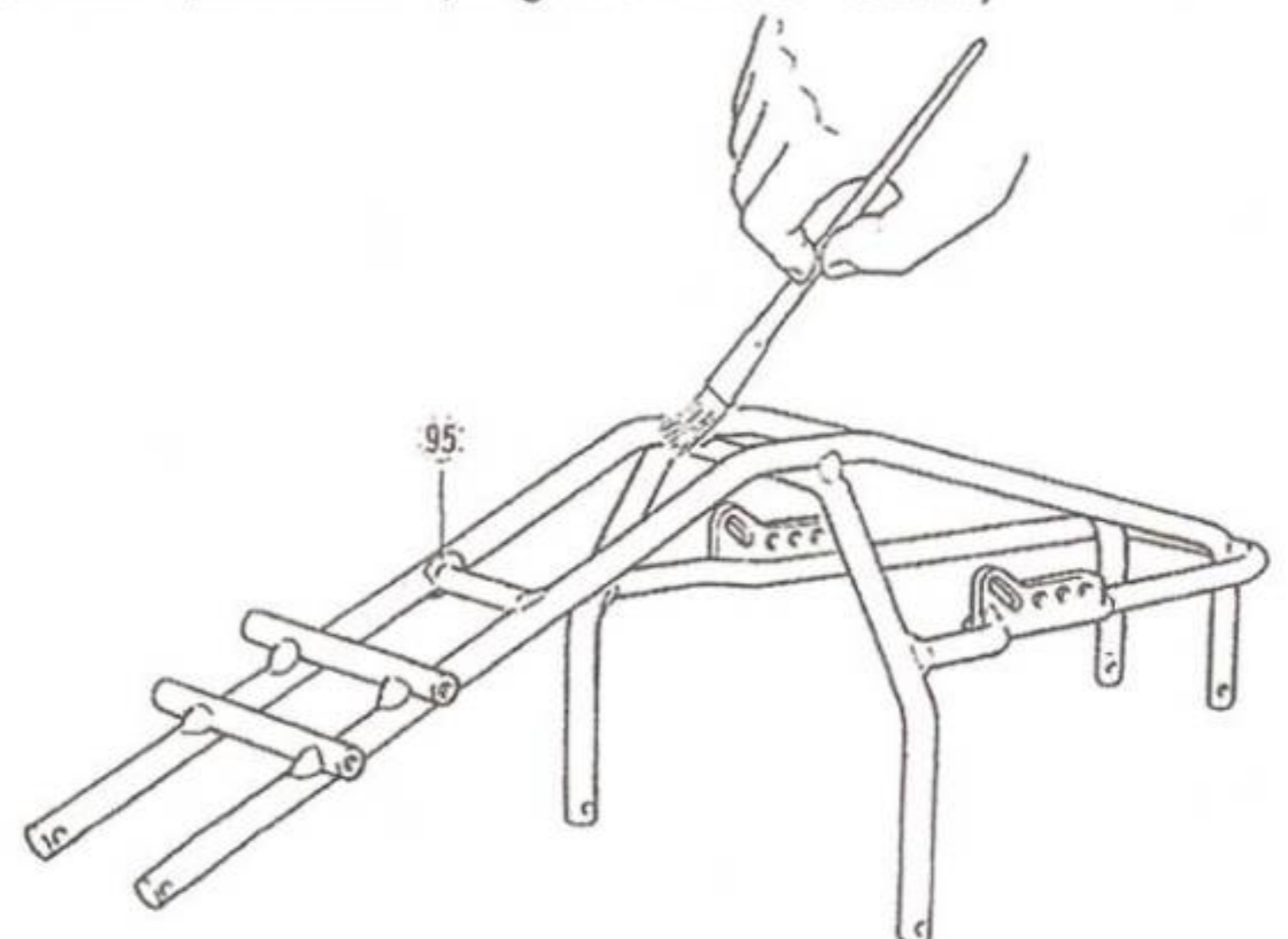


37 Install the gear cover bracket 94 onto the gear cover 93 and then install onto the side member 36 matching so that it will not hit against any of the gears.

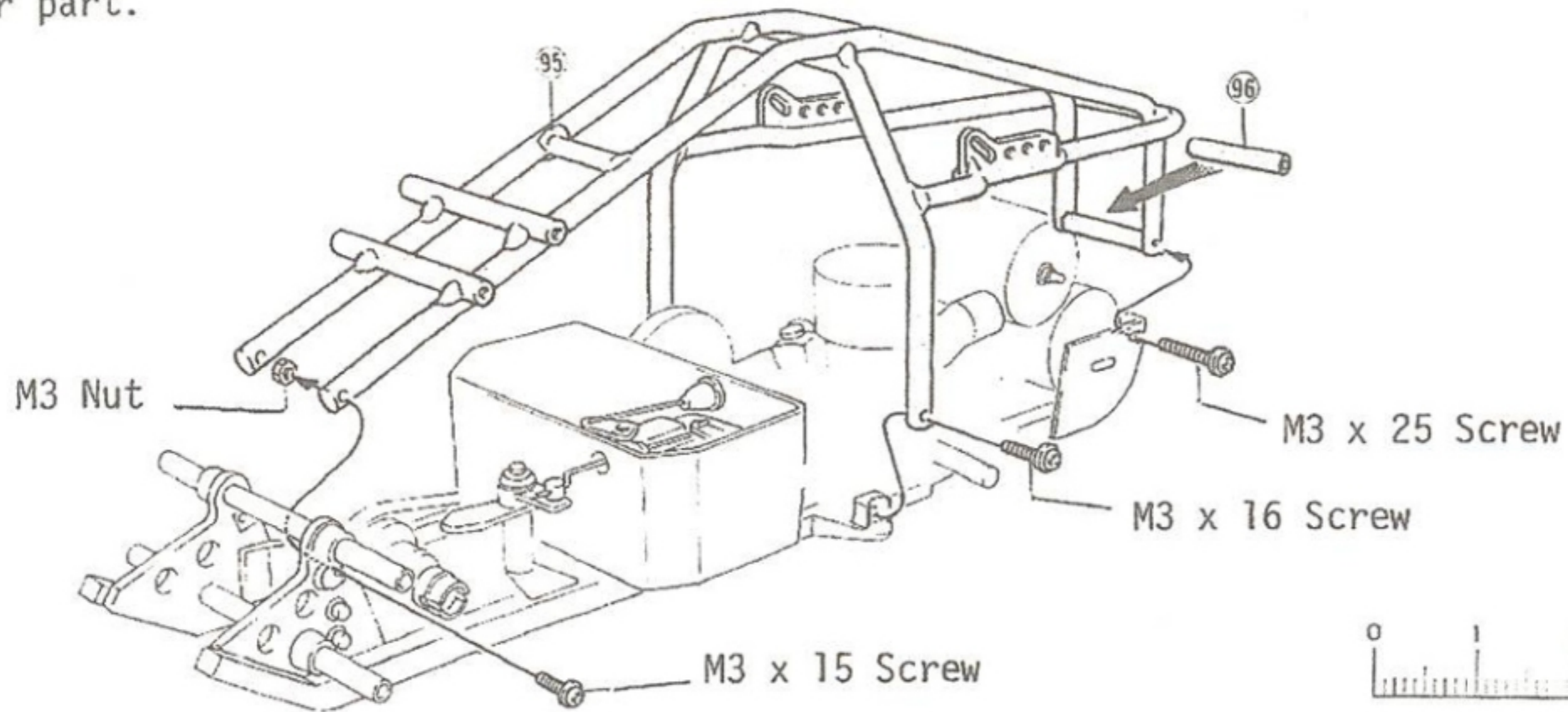
perforate 3mm dia holes



38 The body 95 is painted but before painting, check if the chassis installation hole and body installation holes meet and if it should be out of line adjust by using a plier or other type of tools you have available. Also, before painting wash off dirt or oils with neutral soap. Use fuel proof paints. (engine color etc.)

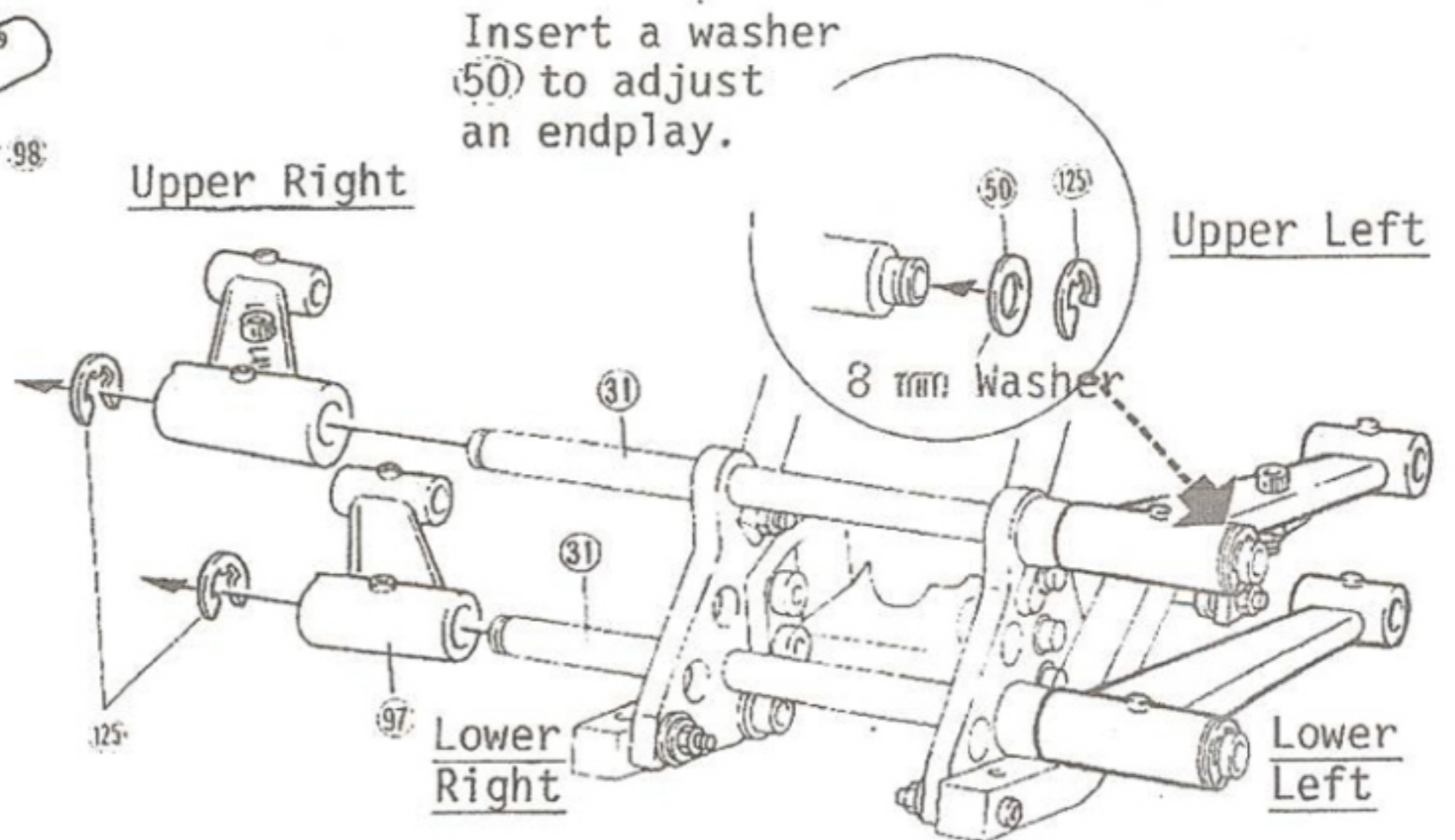
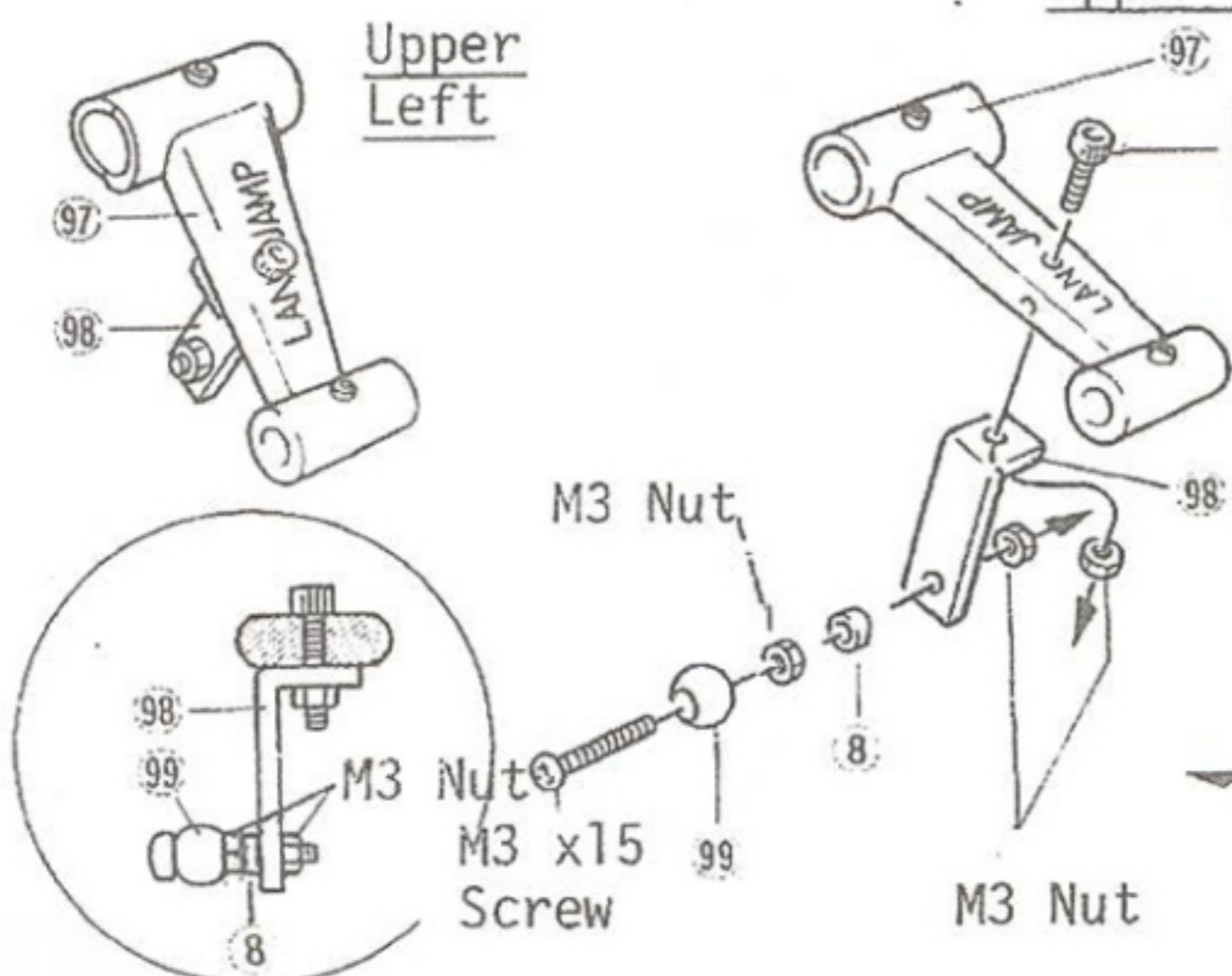


39 Install the body (95) onto the chassis as illustrated. The joint collar (96) is used for rear part.



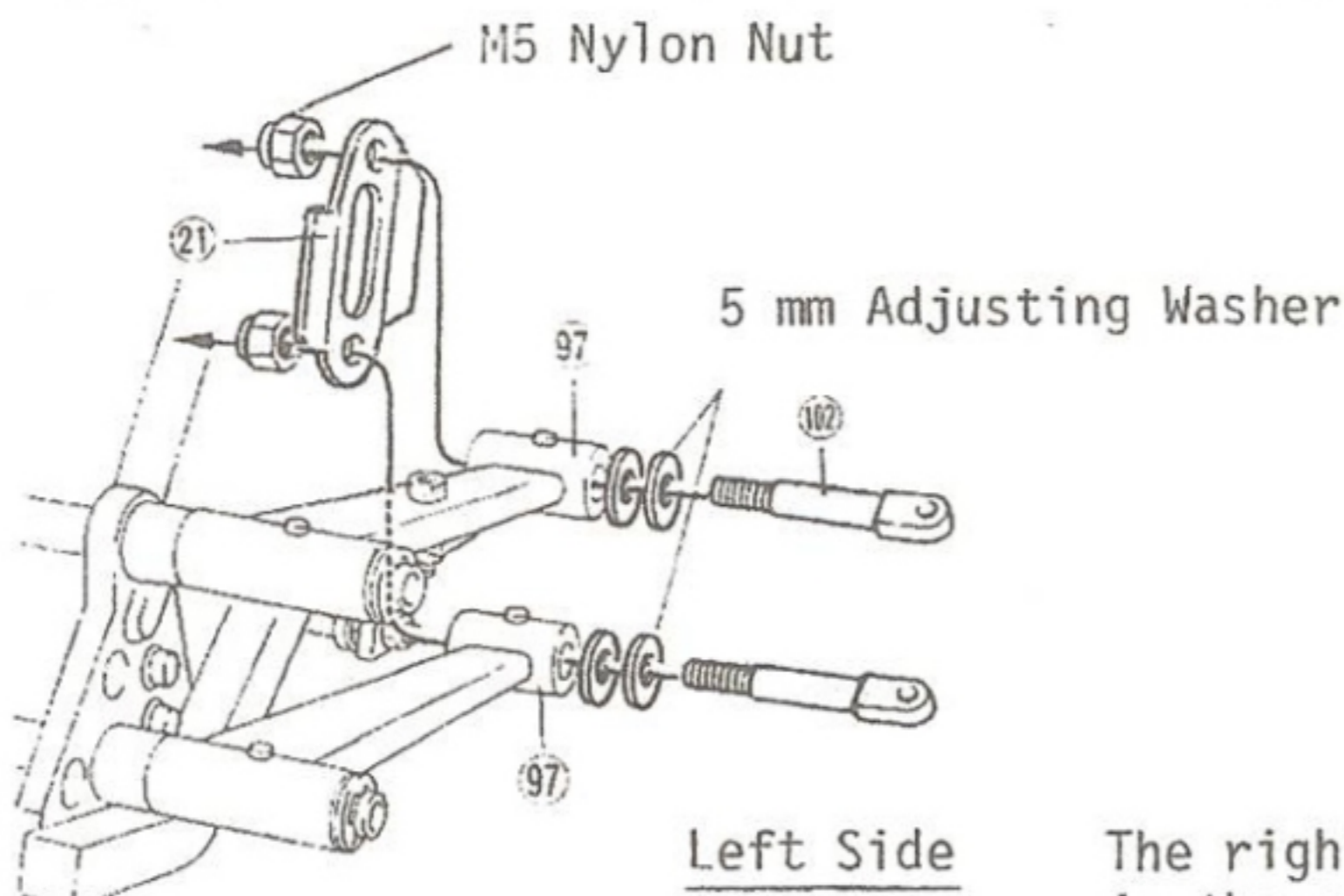
40 Install the front spring stay (98) to the front suspension arm (97). Upper Right

41 Put the front arm spindle (B) (31) to the front axle, and set the front suspension arm (97) onto it. Fix the assembly with a E ring (125) on the front arm spindle. If there is too much play on the front arm spindle, put a washer as shown in the drawing.



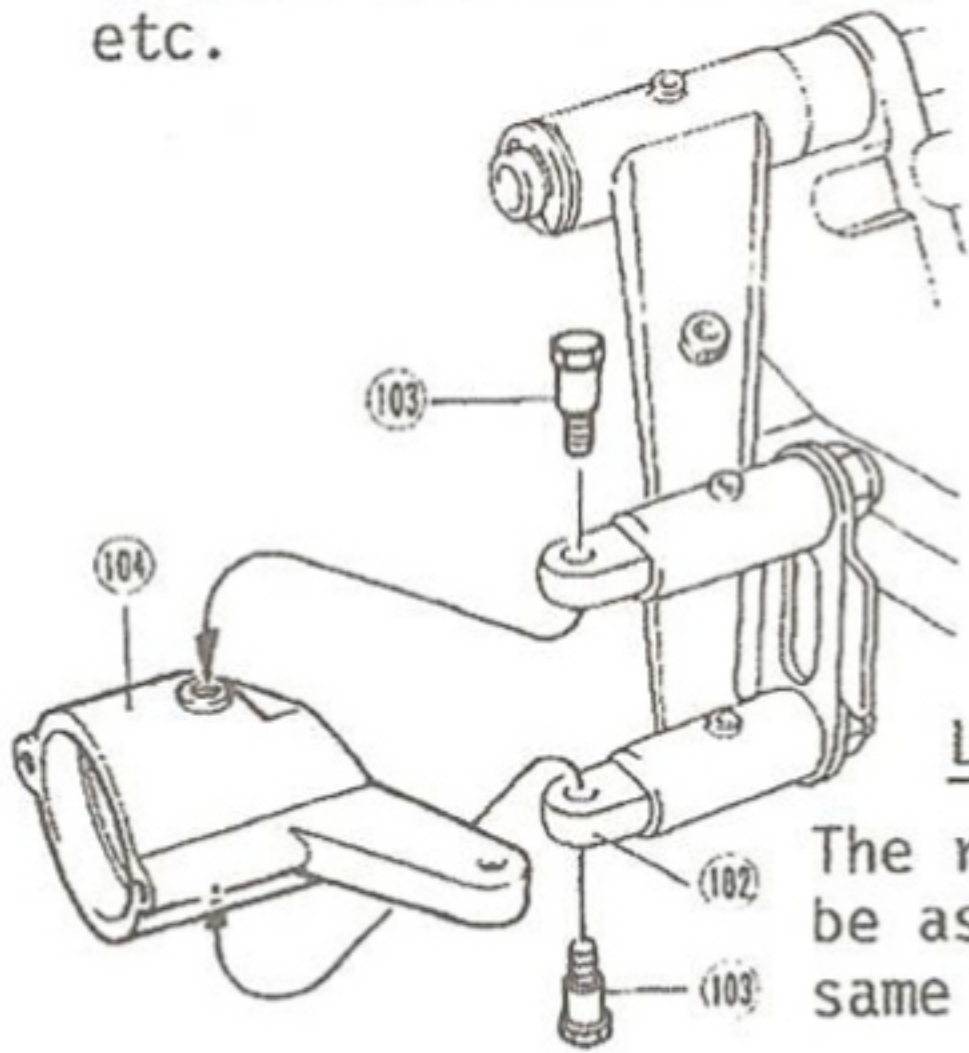
*Set the front suspension arm with a side where the wording of "Land Jump" is inscribed upward.

42 Fix the king pin holder (102) to the front suspension arm (97) and the steering stopper on the other side of the front suspension arm. Secure the assembly with a M5 nylon nut in such a way that there is no play, still the king pin holder (102) will turn lightly.



The right side should be assembled in the same way.

43 The front hub (104) is assembled as illustrated but if the king pin (103) is tightened too much, the front hub will not move. Set so that the front hub (104) will move freely without having too much play. Lock the king pin (103) so that it will not loosen up by applying cement, etc.

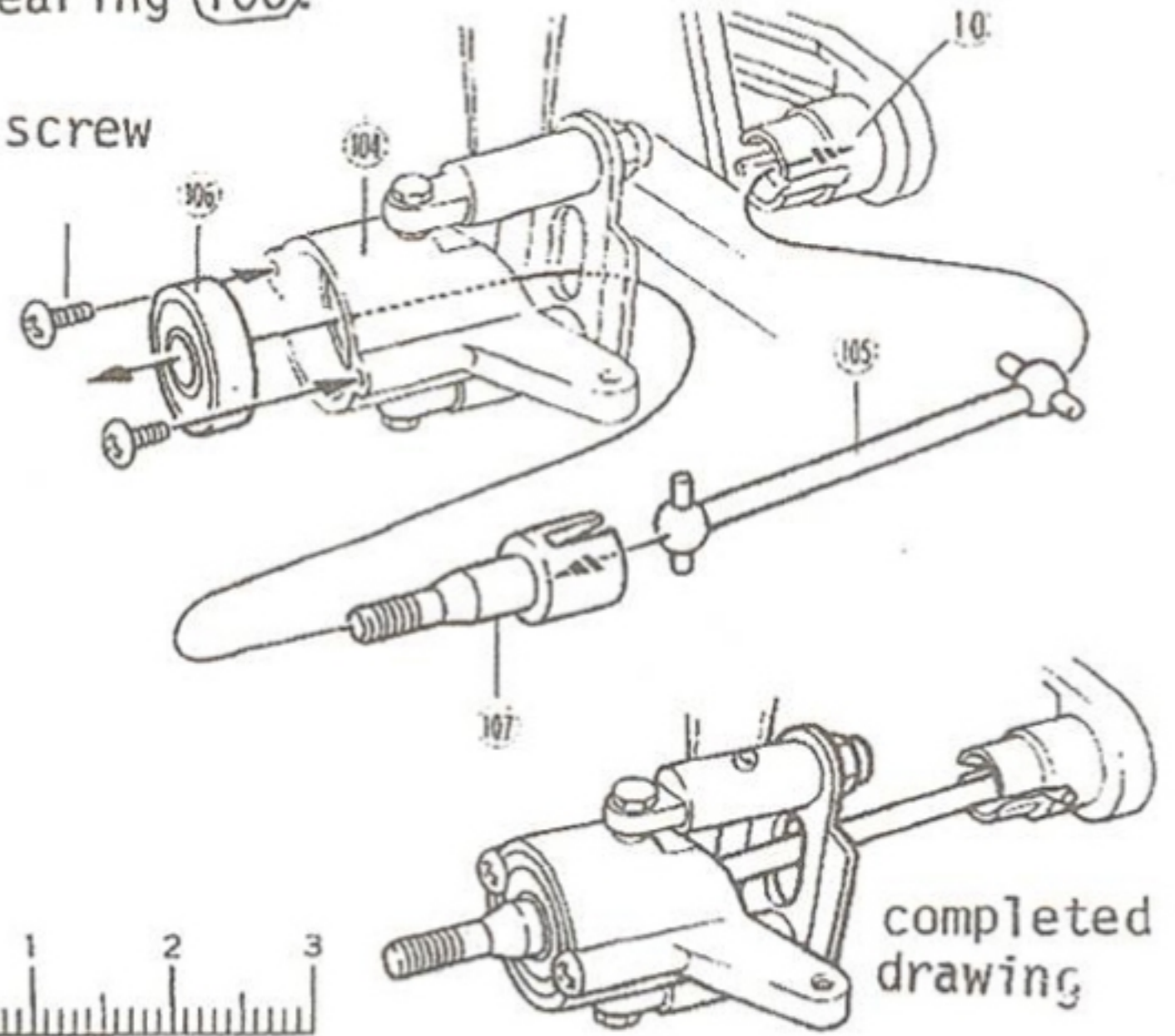


Left Side

The right side should be assembled in the same way.

44 Insert the swing shaft (105) into the joint (10) and the other end into the front wheel shaft (107), then install by setting into the front hub (104) the front wheel shaft bearing (106).

bind screw
M3x5



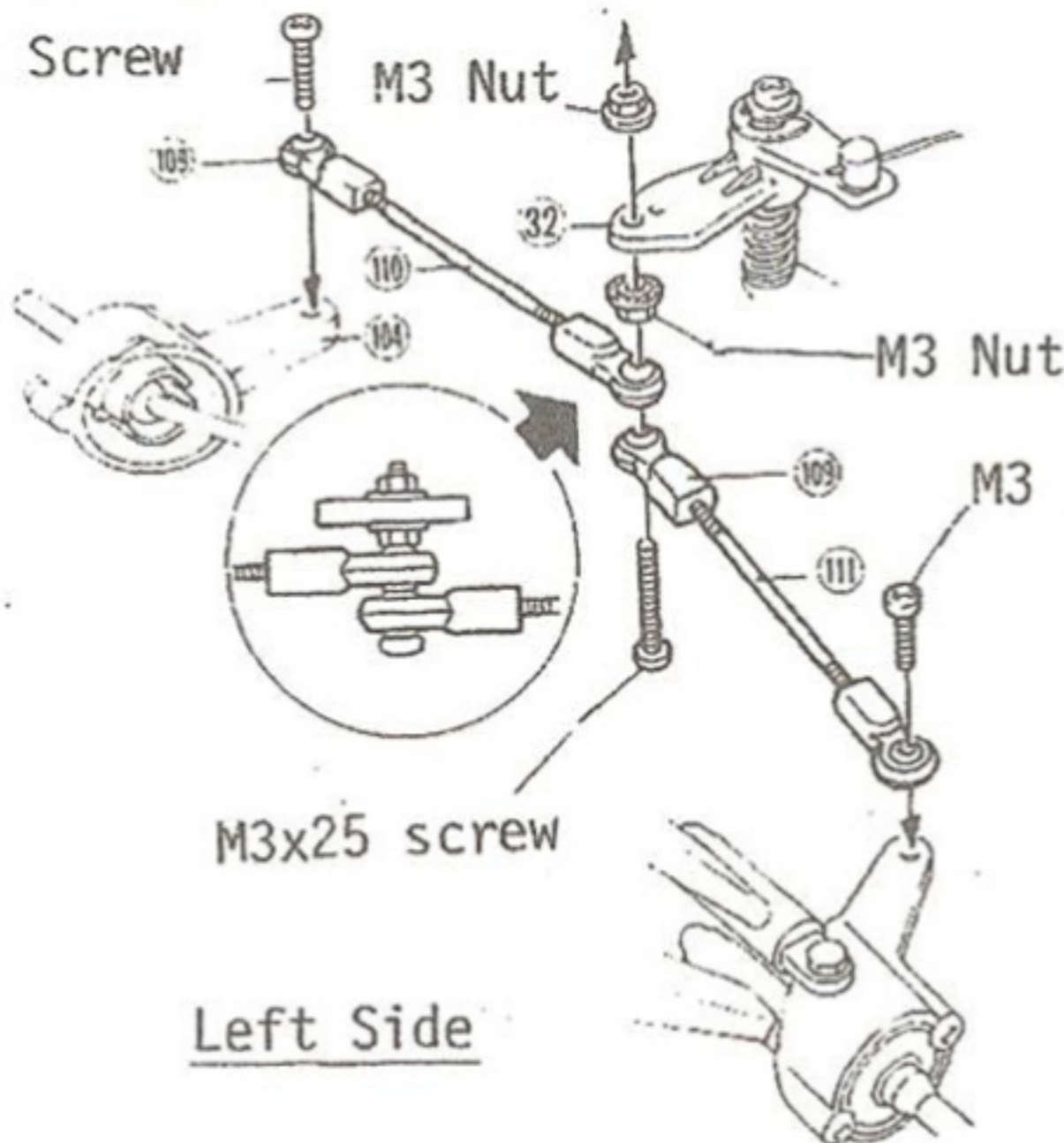
completed drawing

45 Fix a M3 x 20 bolt through ball link adjusters (109) and tighten the bolt with a M3 nut. Insert the tip of the bolt into the servo saver and secure it with another M3 nut. Adjust the length of the tie rod in such a way that the front tires will be set with one degree toe-in adjustment, and connect the ball link adjusters (109) to the front hub.

M3 x 12 Screw

M3 Nut

Right Side

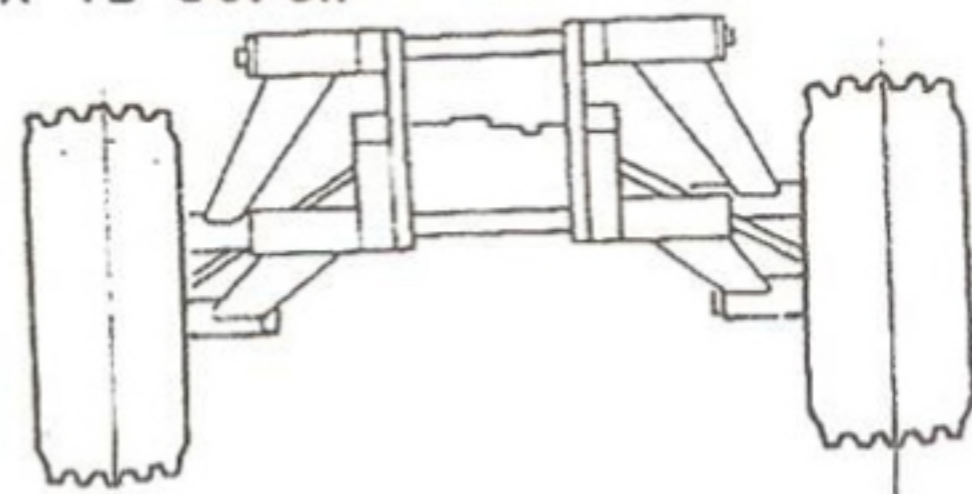


M3 Nut

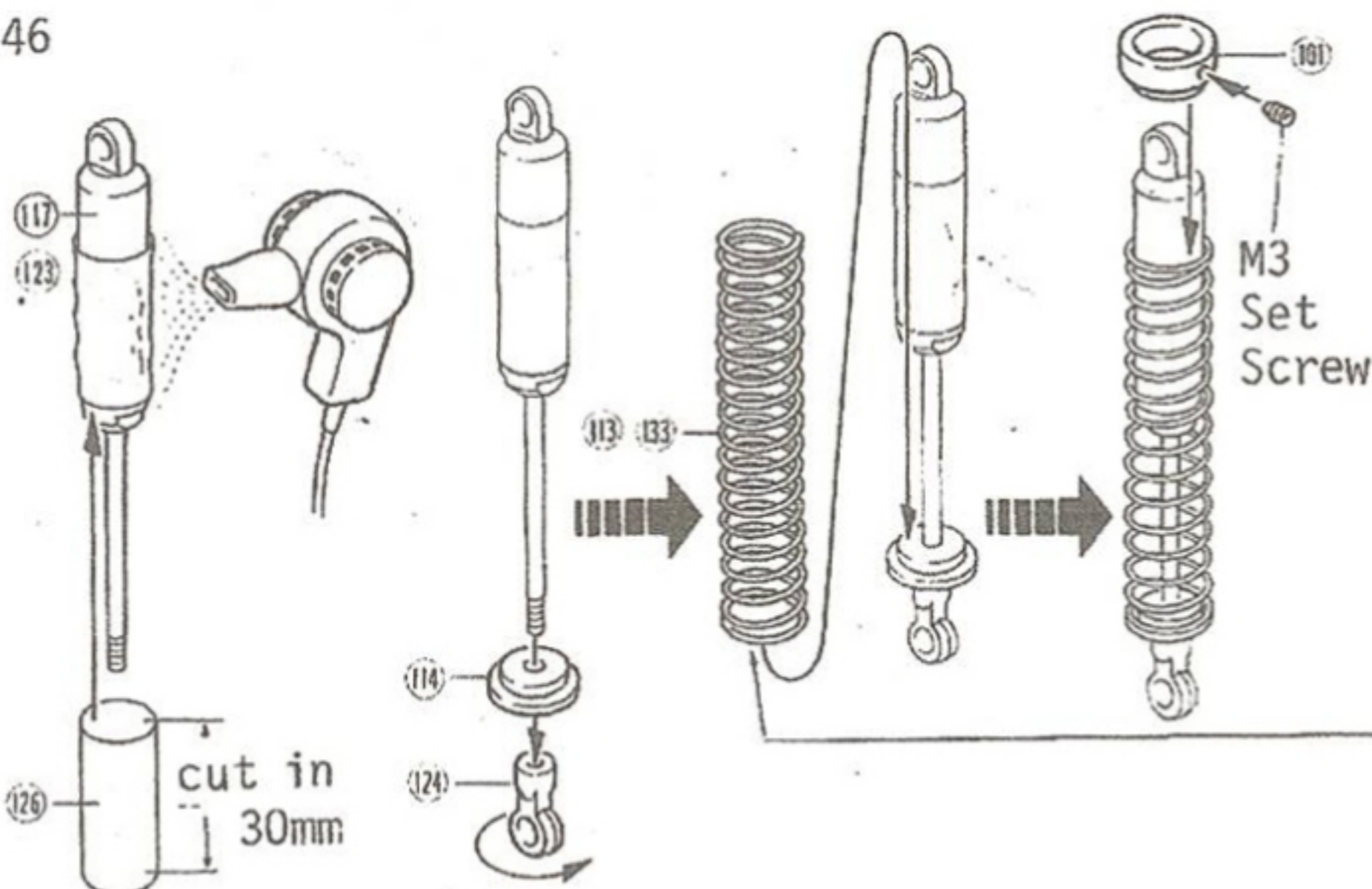
M3 x 12 Screw

M3x25 screw

Left Side



46



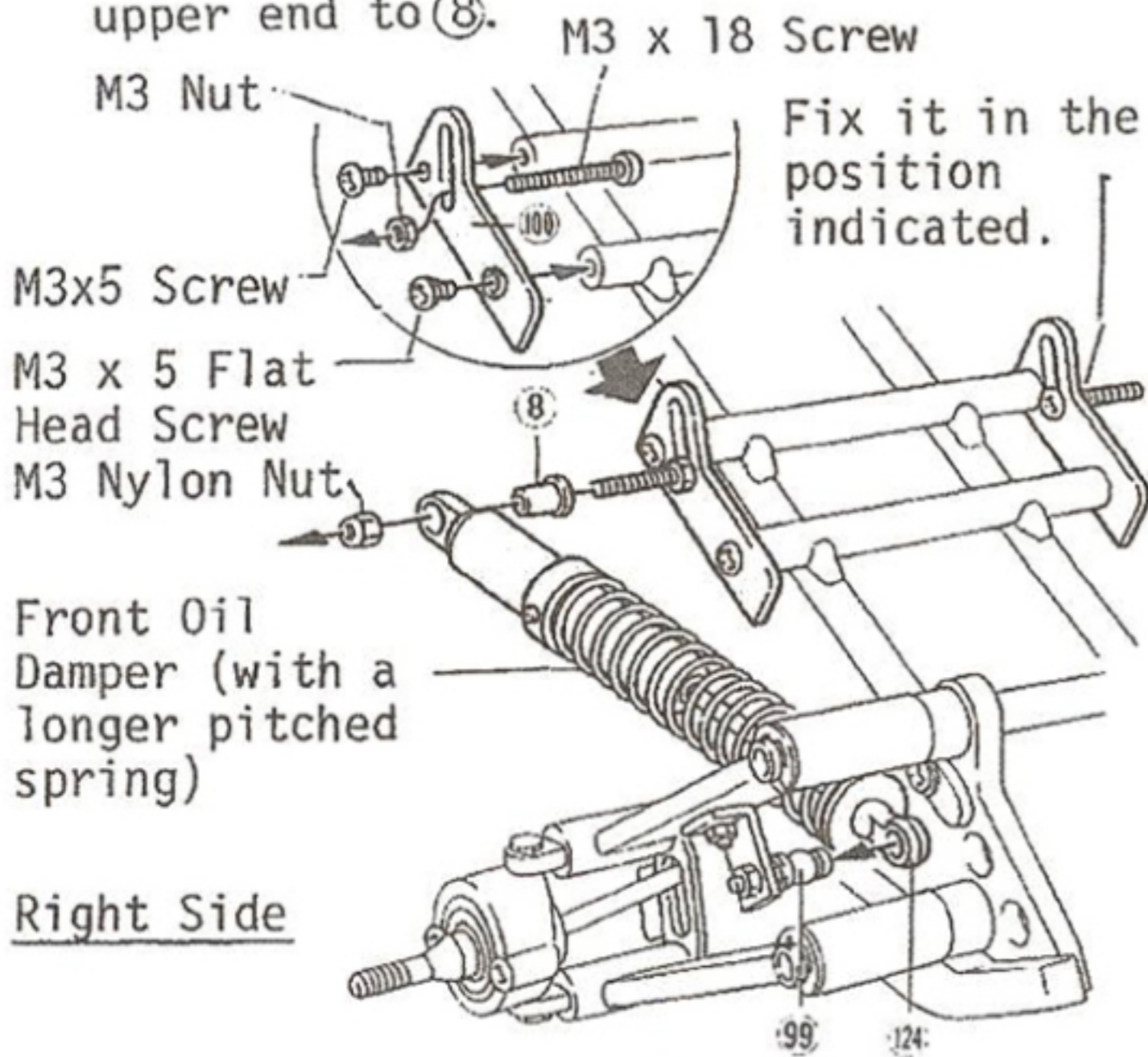
Sheathe the four oil dampers with the damper tube (126) which have been cut to 30 mm long, and shrink the tubes with a hair dryer as shown in the drawing. The tubes will protect the oil dampers from any damage.

(Note) Tighten the M3 setscrew securing the suspension spring stopper (101), but not too tight.

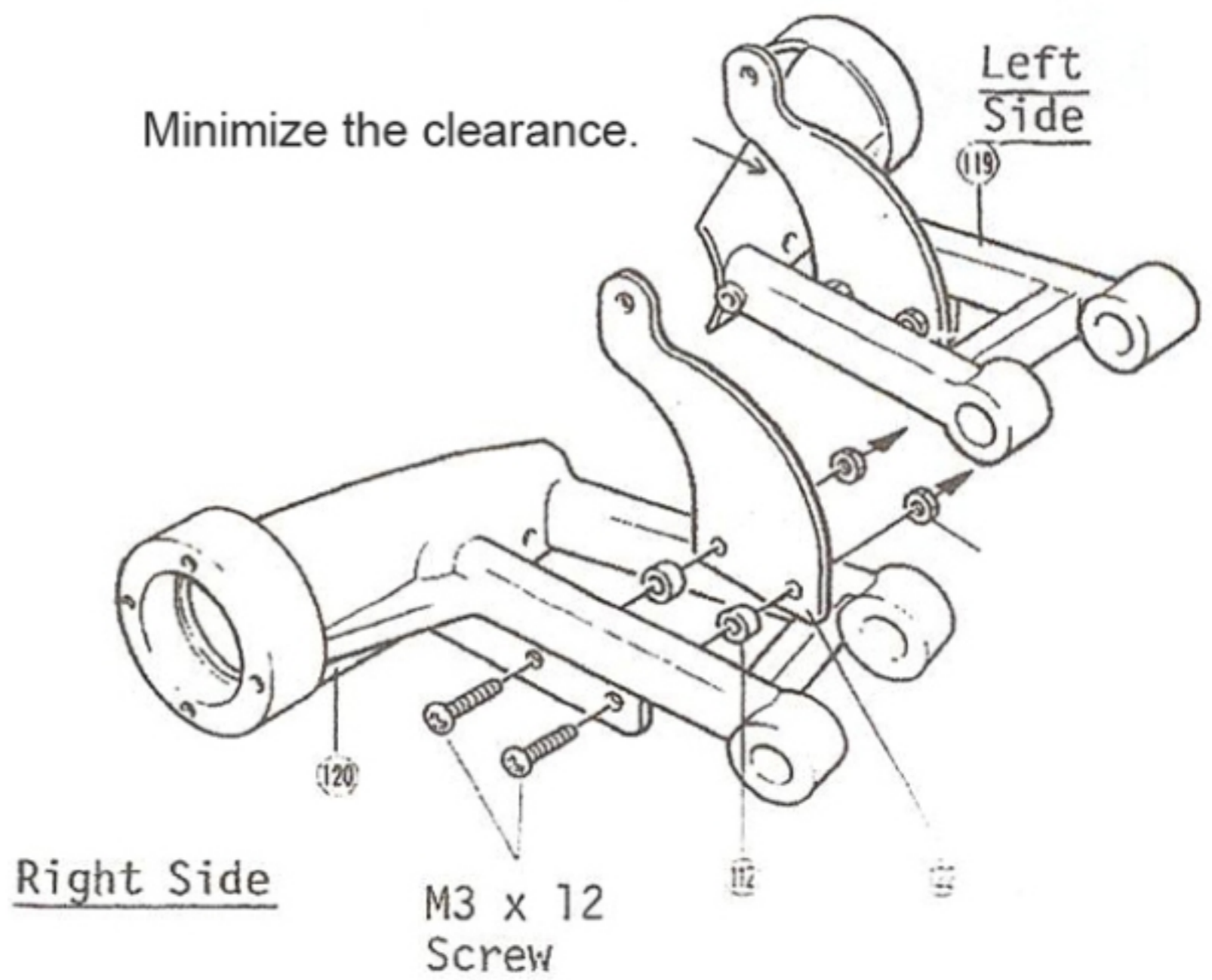
(Note) Do not mistake the front damper springs with the rear ones. The rear springs have finer spring spirals than the front ones.

Cut it to 30 mm long.

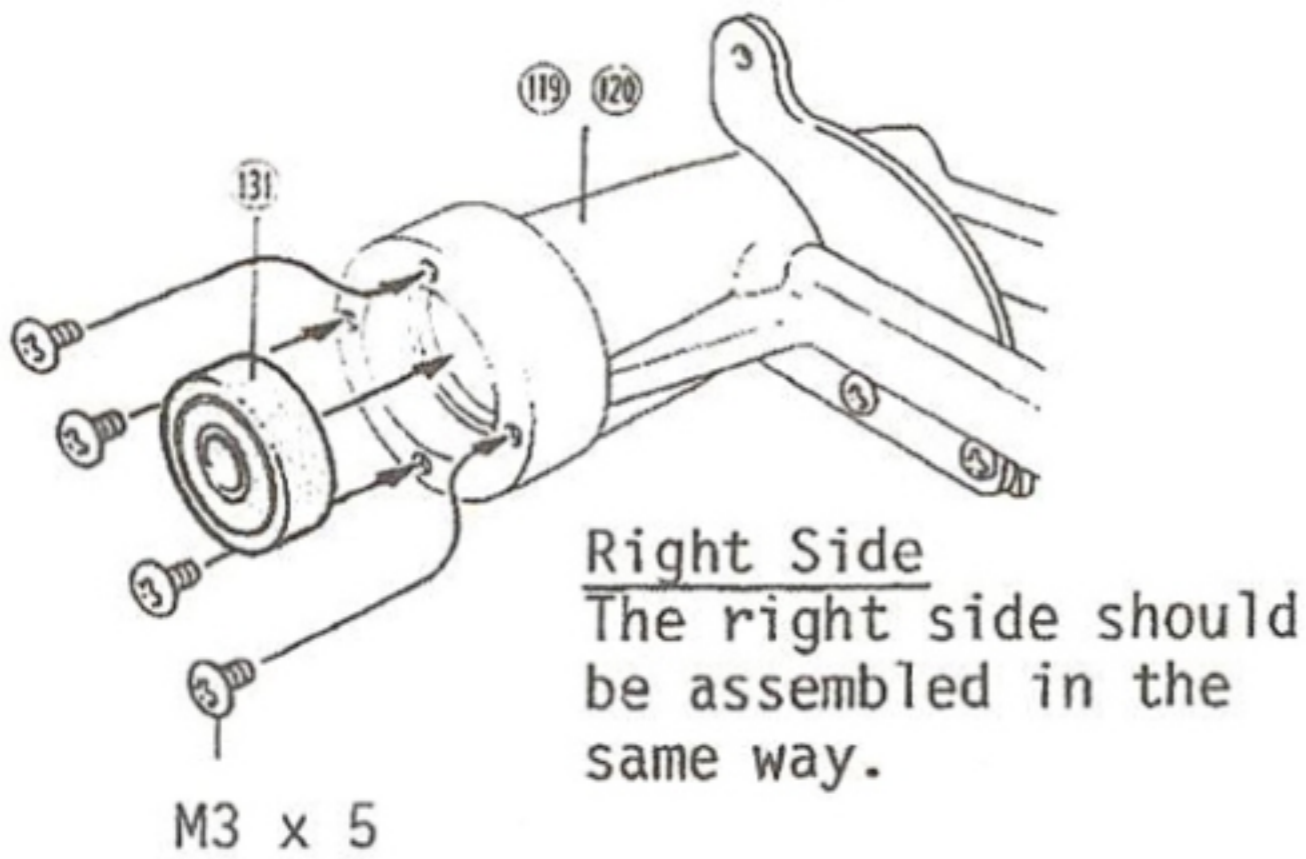
- 47 Fix the lower socket (124) at the lower end of the oil damper onto the ball (99) as shown in the drawing. Install the upper end to 8.



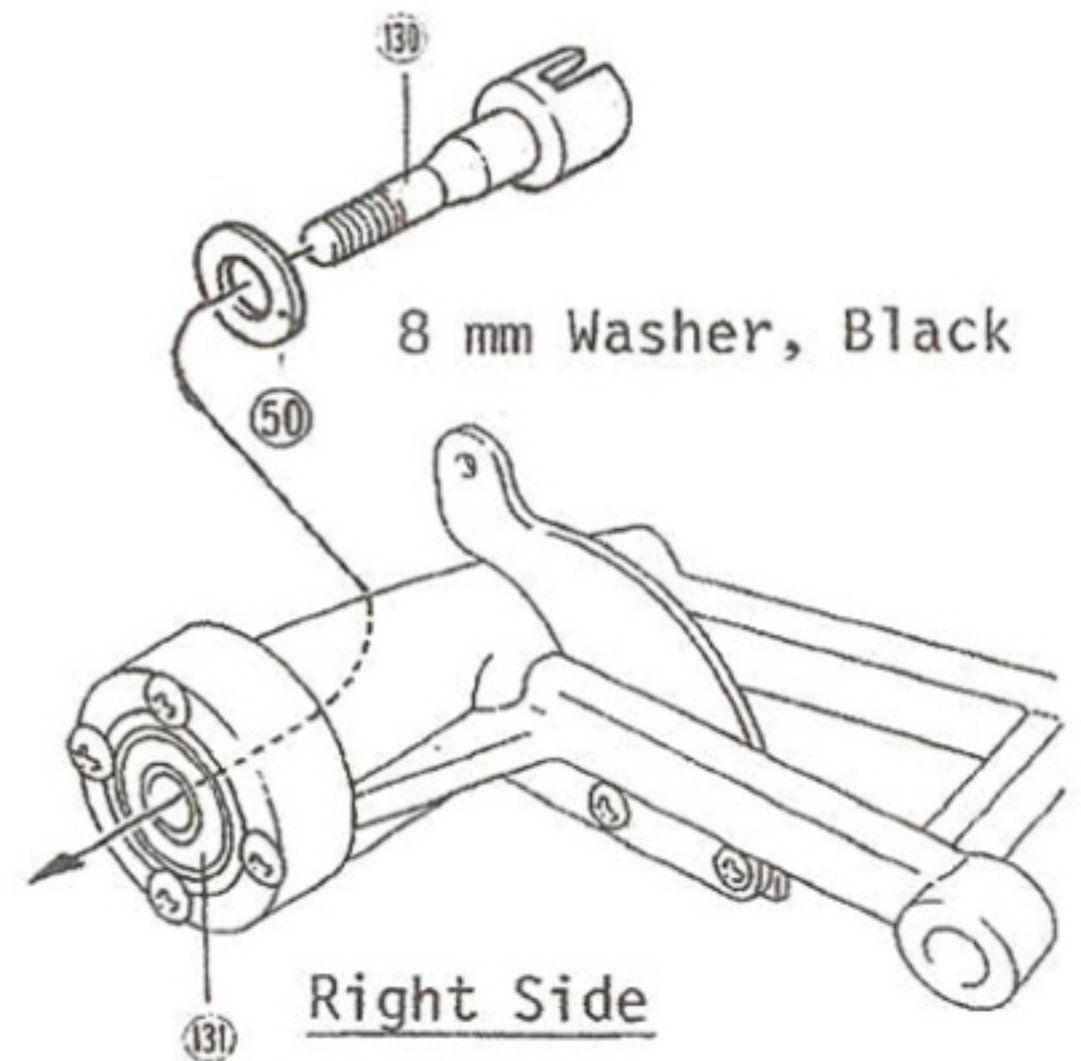
- 48 Install the rear sus spring stay onto the rear sus arm (119) and (120).



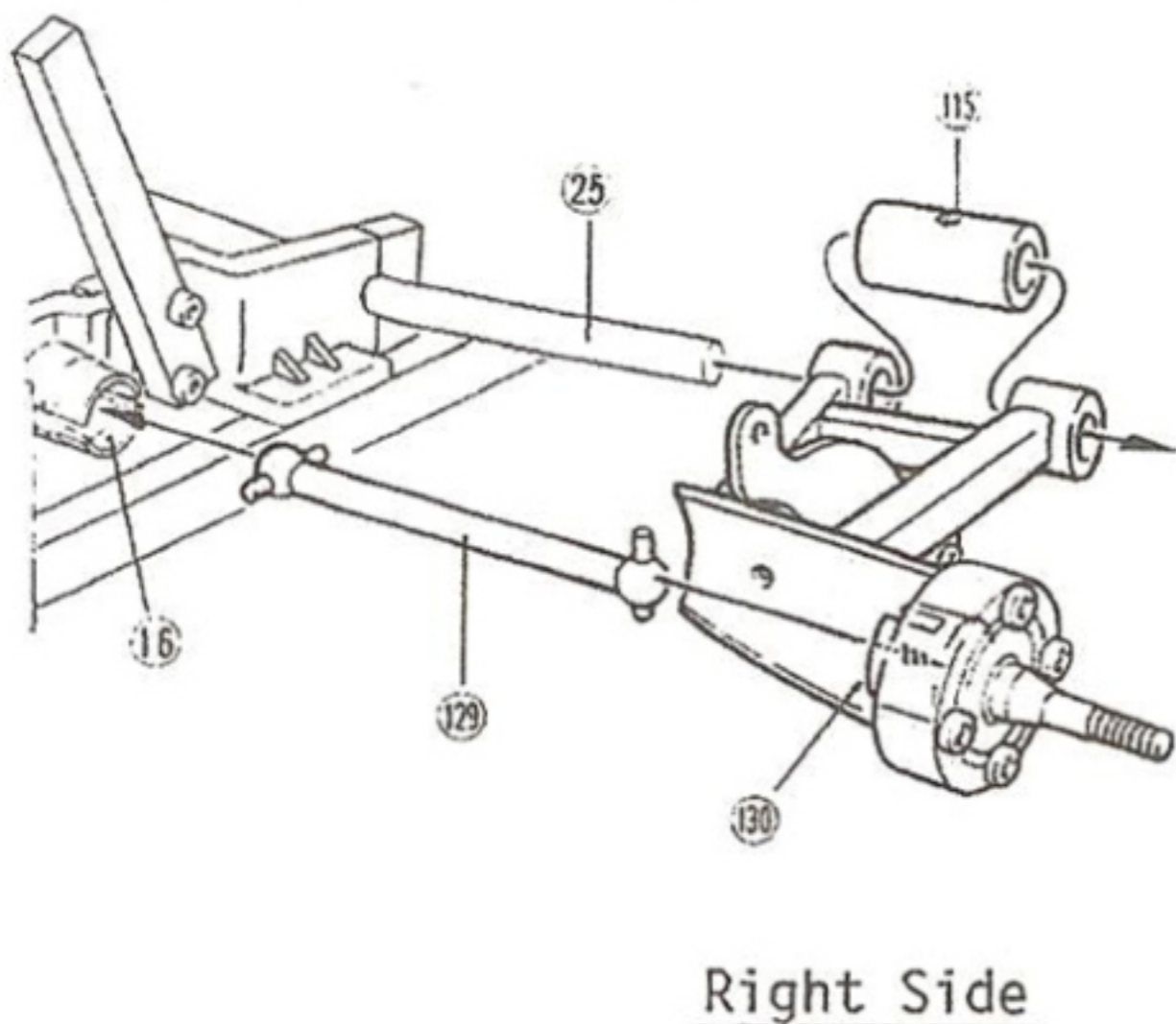
- 49 Install the rear wheel shaft bearing (131) onto the rear sus arm (119) and (120). Assemble left the same way.



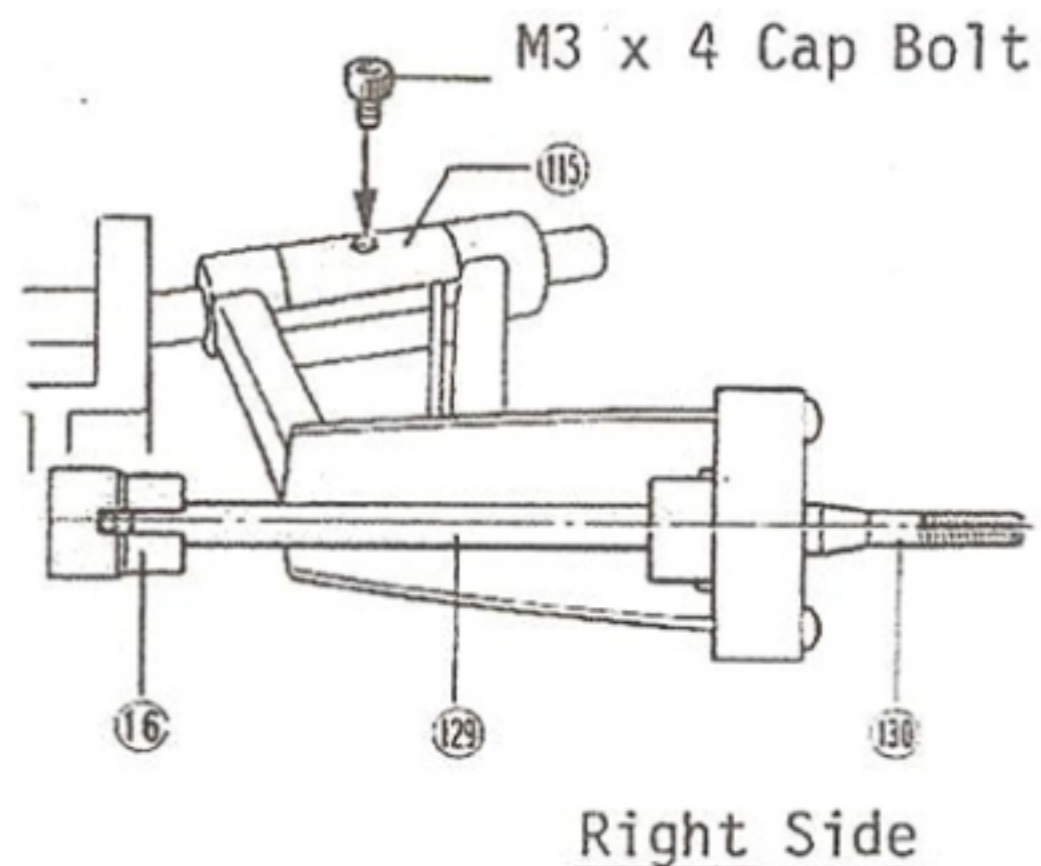
- 50 Insert the rear wheel shaft (130) into the rear wheel shaft bearing (131).



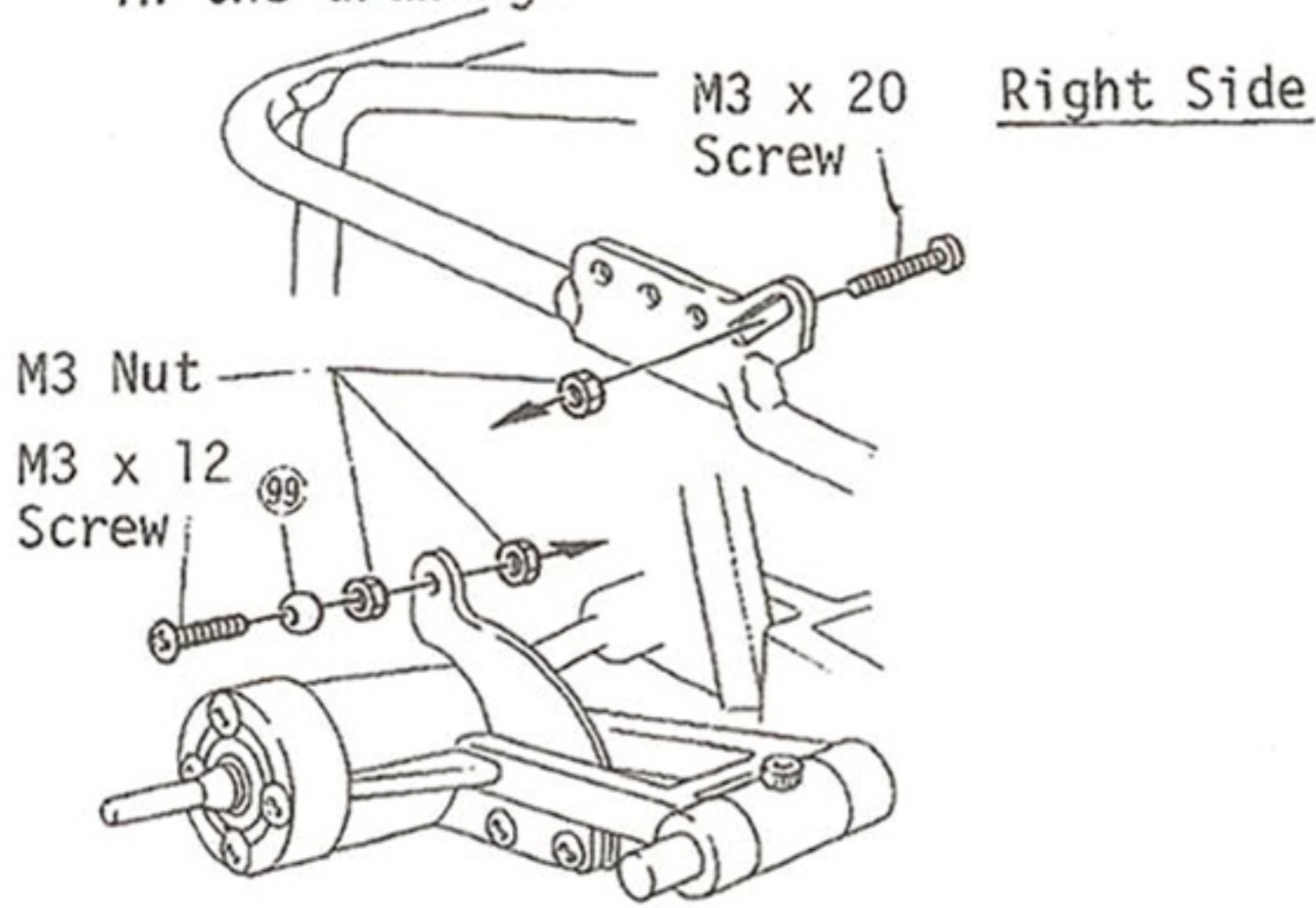
- 51 Install the rear suspension arm with the rear swing shaft (129) fitted into the joint (16) and the rear wheel axle (130) as shown in the drawing.



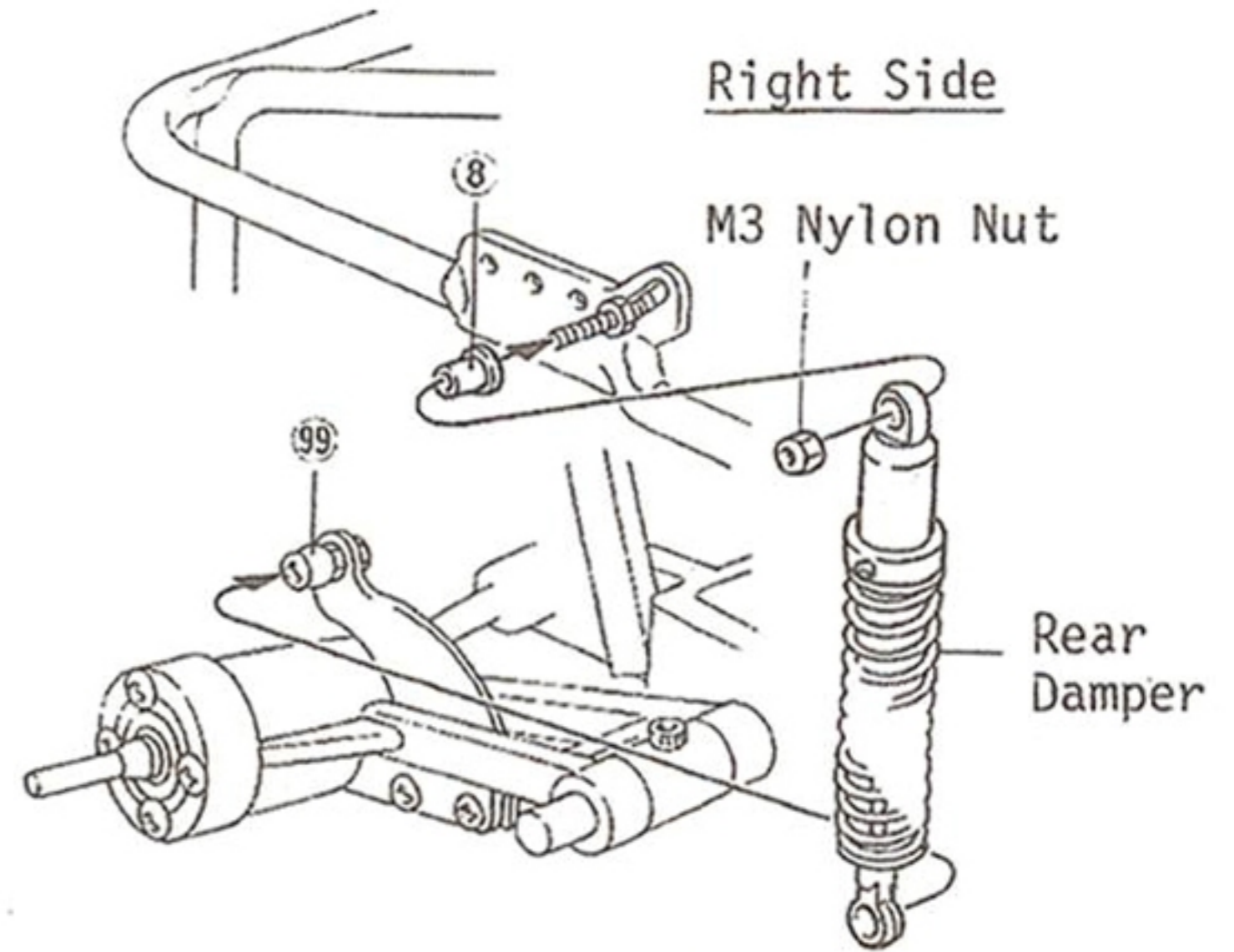
- 52 Tighten the rear suspension installing thimble (115) pushing the rear suspension arm inward all the way till the rear swing shaft (129) will fit into the joint (16) without play, while the rear swing shaft (129) and the rear wheel axle are kept in horizontal.



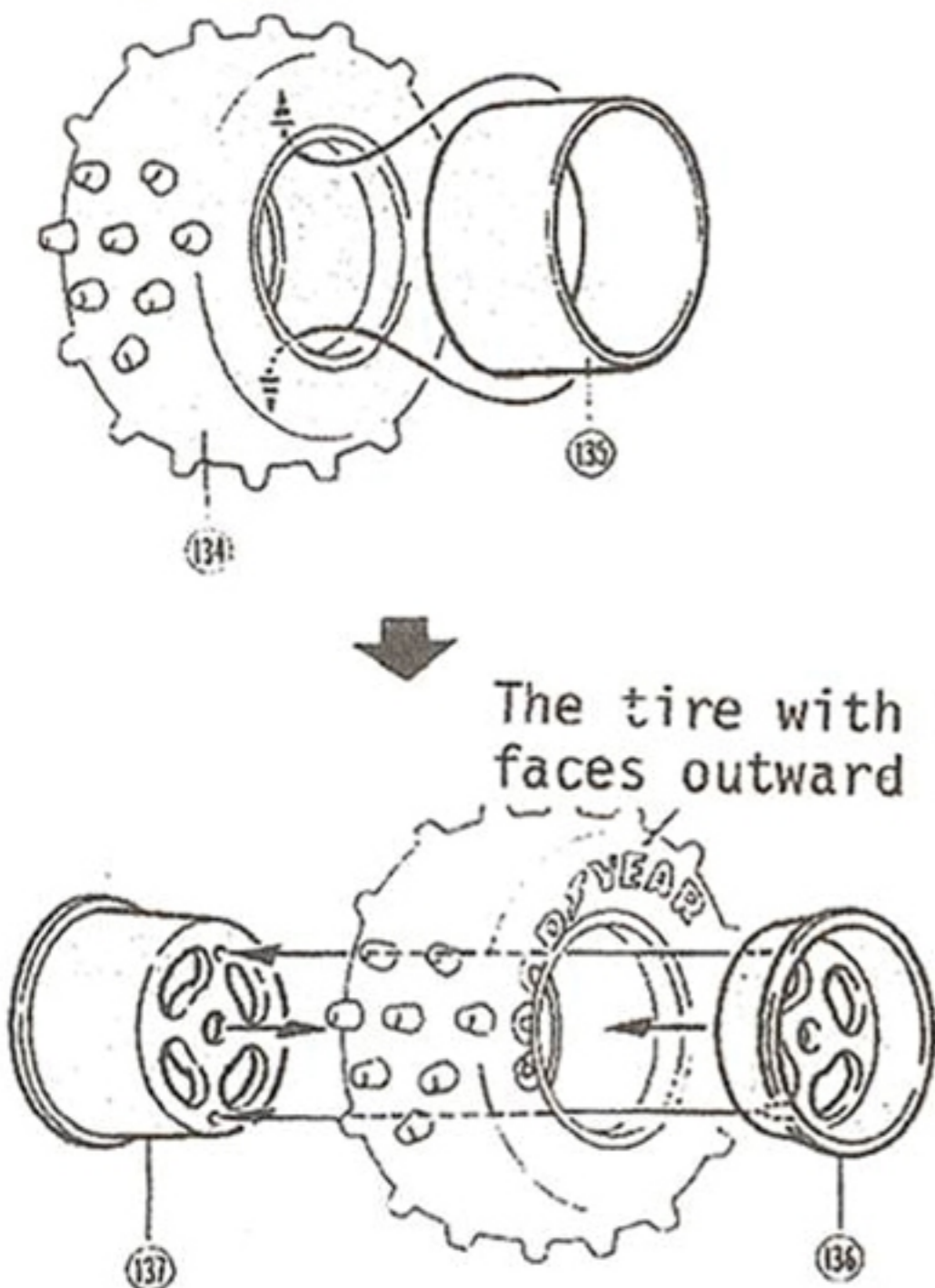
53 Fix the damper installing bolt as shown in the drawing.



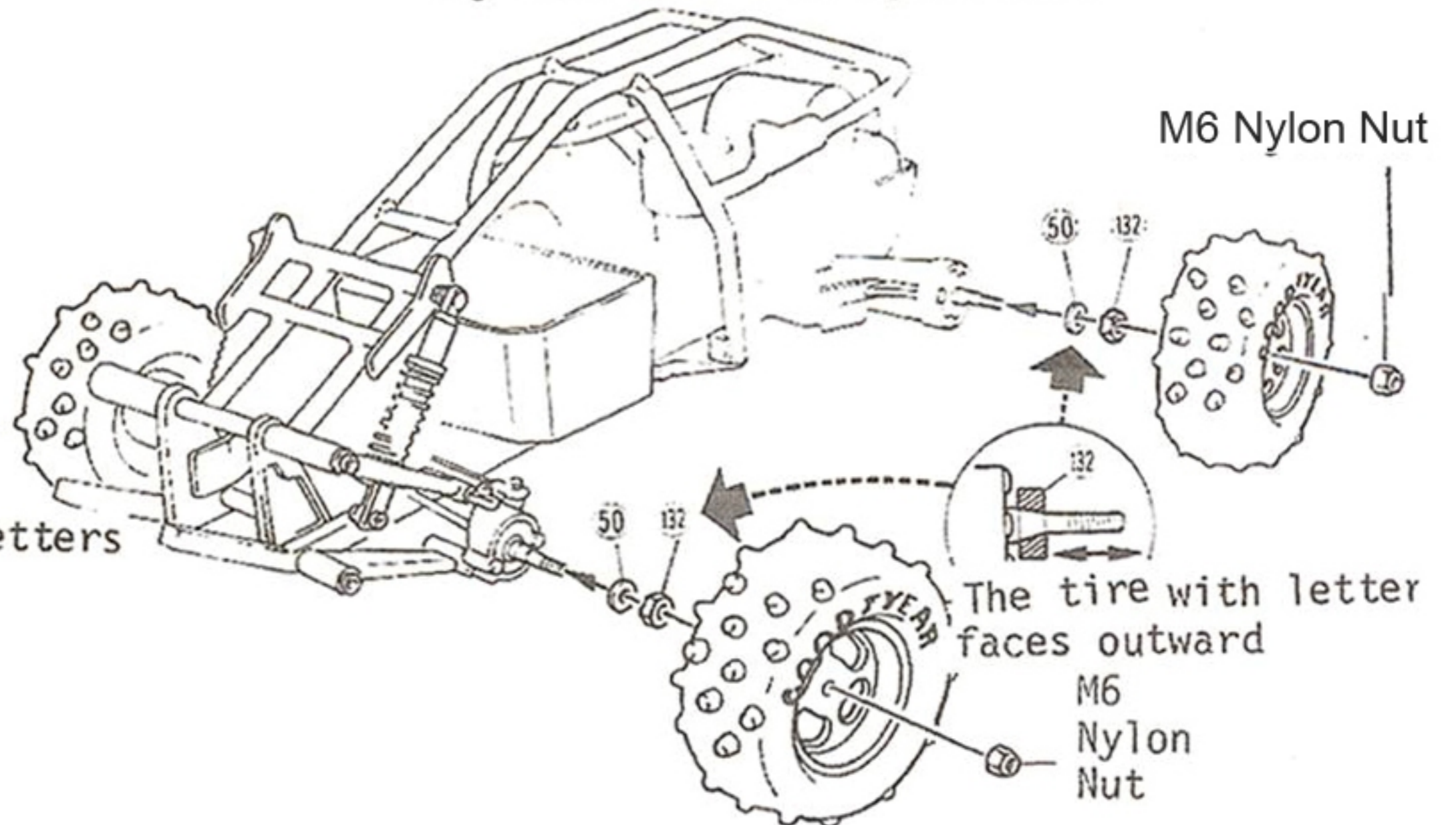
54 Fix the damper fitting the lower end to a ball (99) and the upper end with a M3 nylon nut and a damper rubber bushing



55 Put the inner wheel (135) into the tire (134). Fit the wheel (A) (136) outward and the wheel (B) (137) inward aligning the projection on (136) with the hole on (137). The wheel components are cemented and no bolt or screw is used.

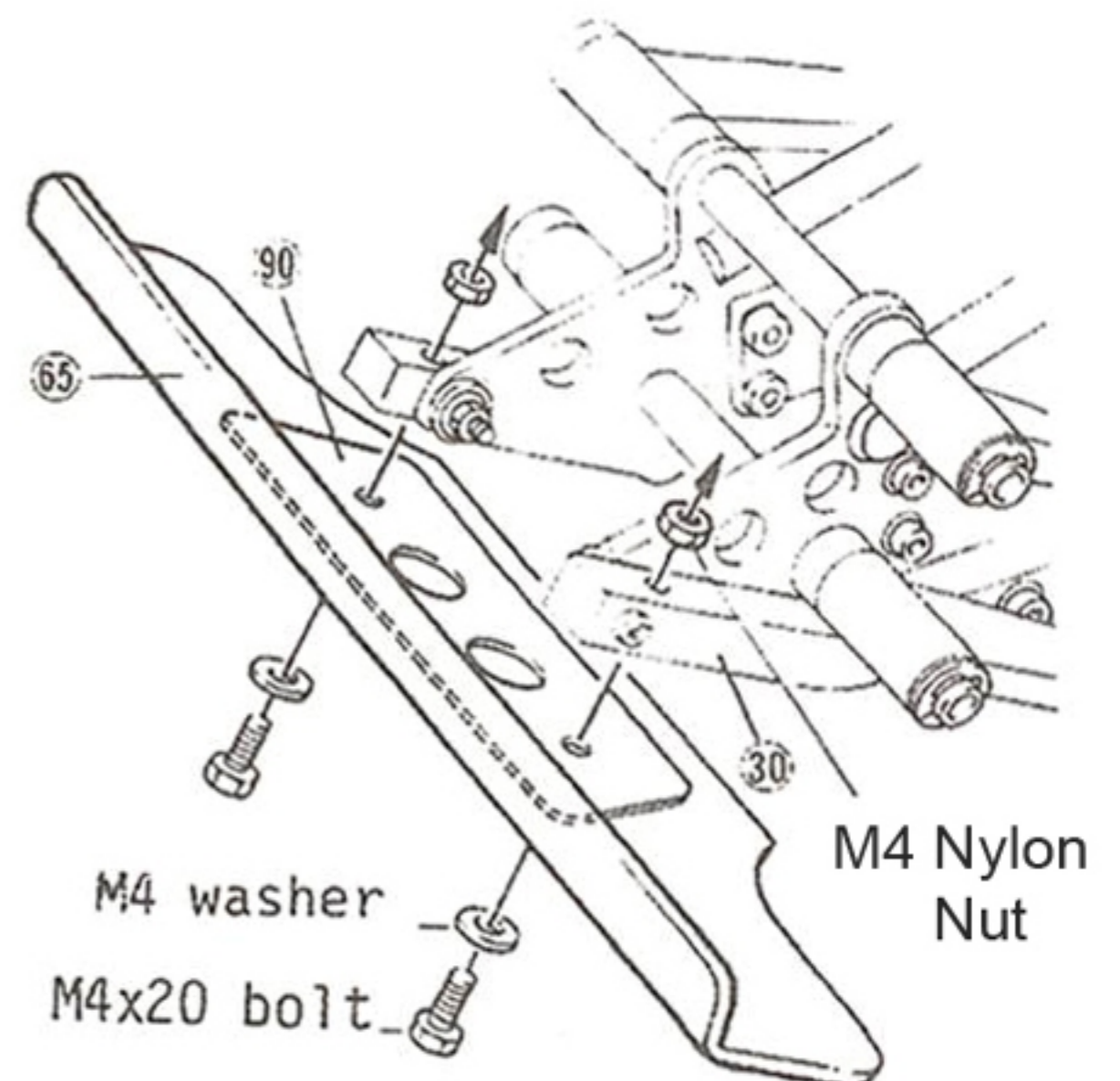


56 Put the drive washers (132) onto the front and rear axles. If there is excessive play, adjust it with the adjusting shim (50). True up the hexagonal concave inside of the wheel with the hexagonal convex outside of the drive washer (132), tightening them with a M6 nylon nut.

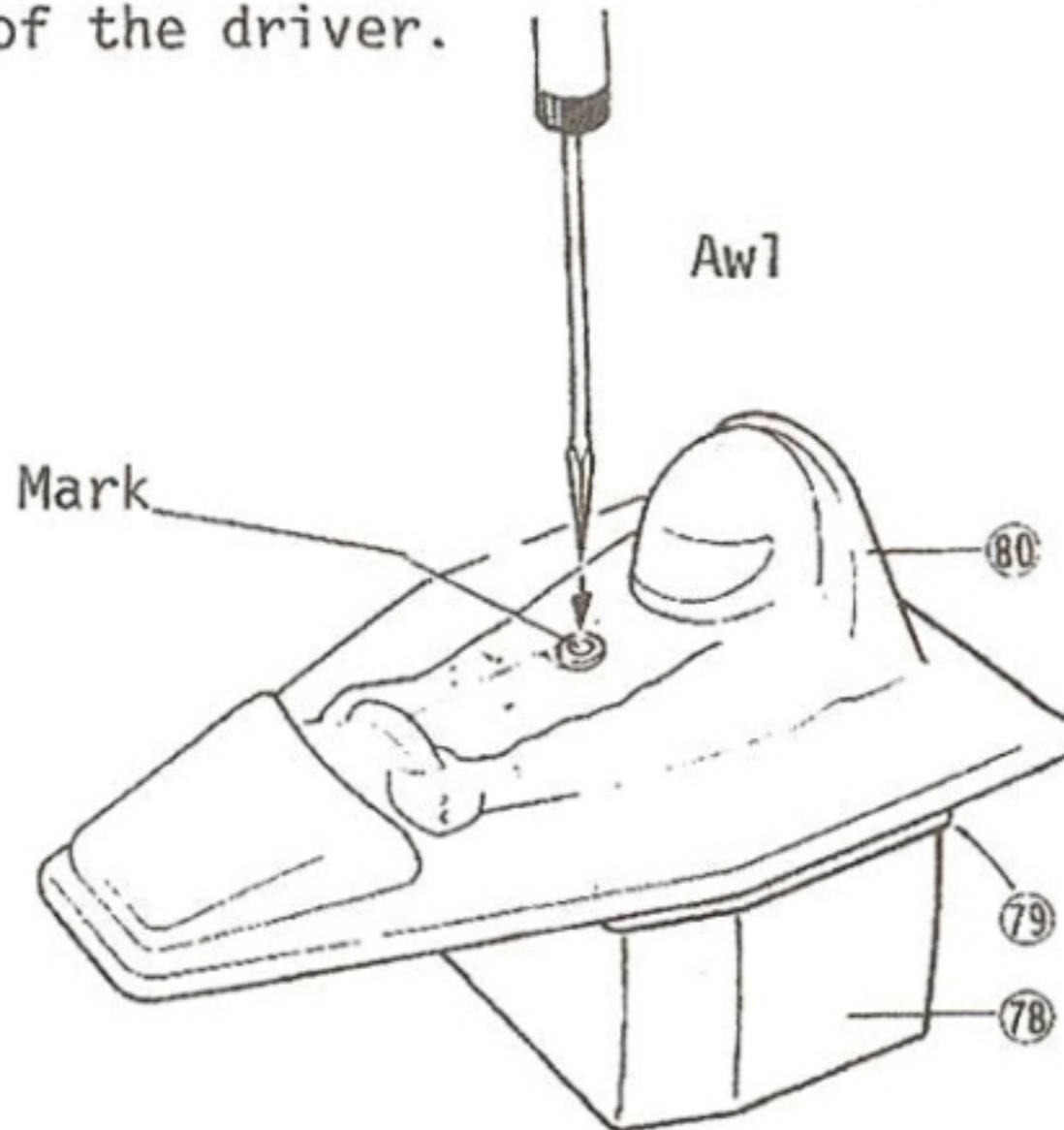


If there is too much play around the axle correct it with the adjusting shim (50).

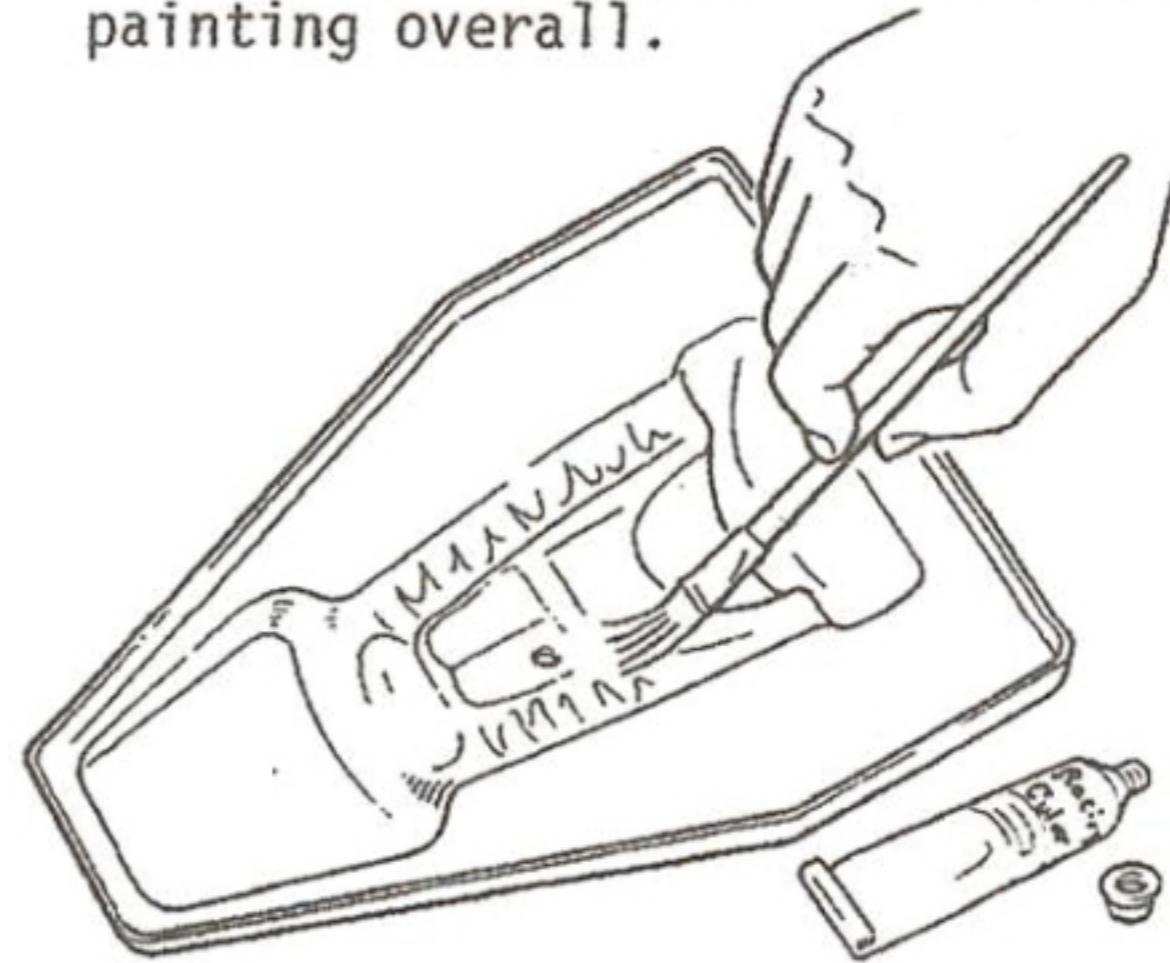
57 Install the front bumper (65) and the bumper reinforcement plate (30) to the main chassis.



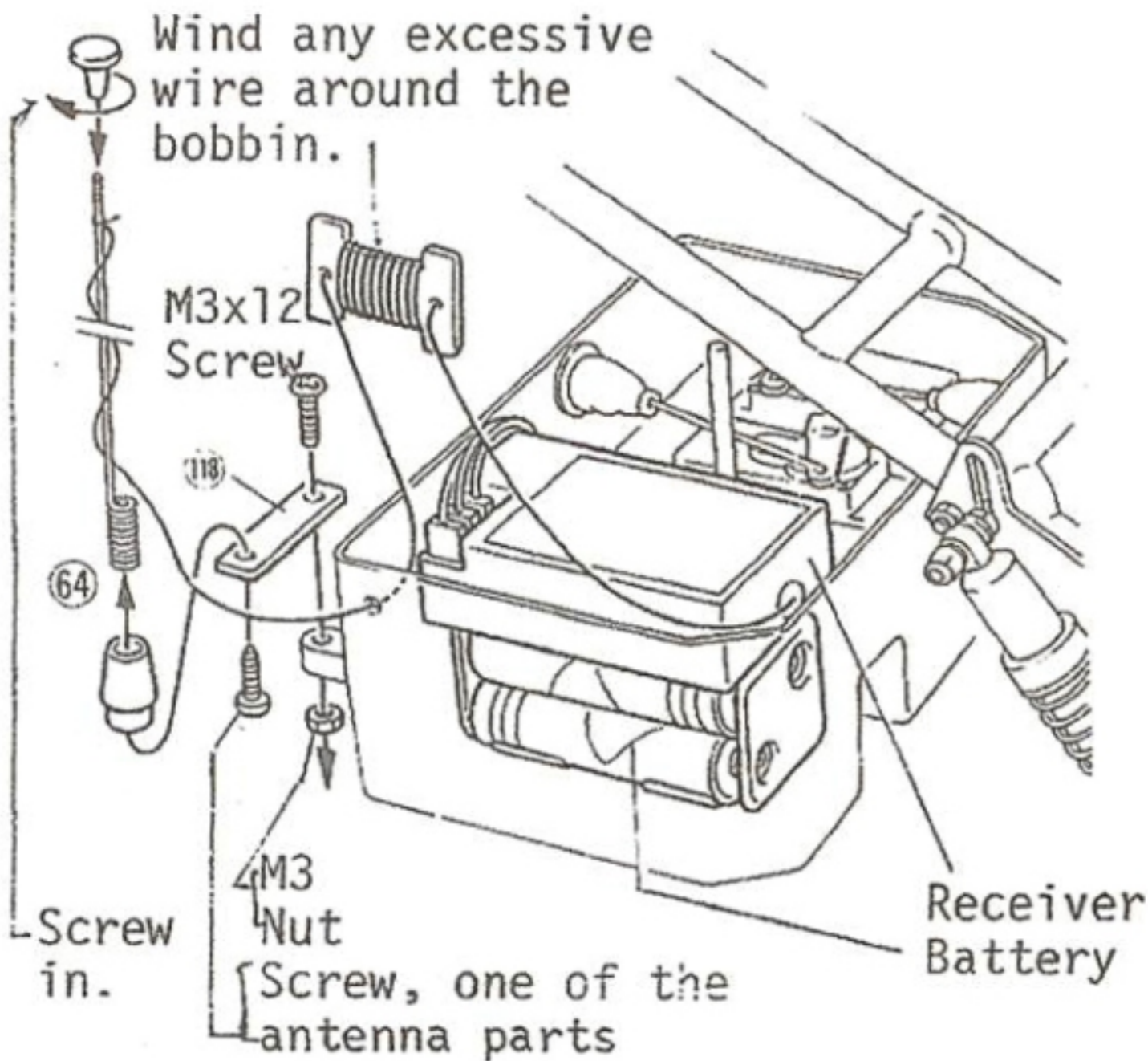
58 Mount the cover (79) and the driver doll (80) onto the R/C box (78). Drill a hole of 4 mm diameter between the arms of the driver.



59 Paint the sheet and doll (80). Wash with the neutral soap before painting. After drying, paint the inner side of the body, masking places to be painted in different colors for lines, etc. and finish by painting overall.

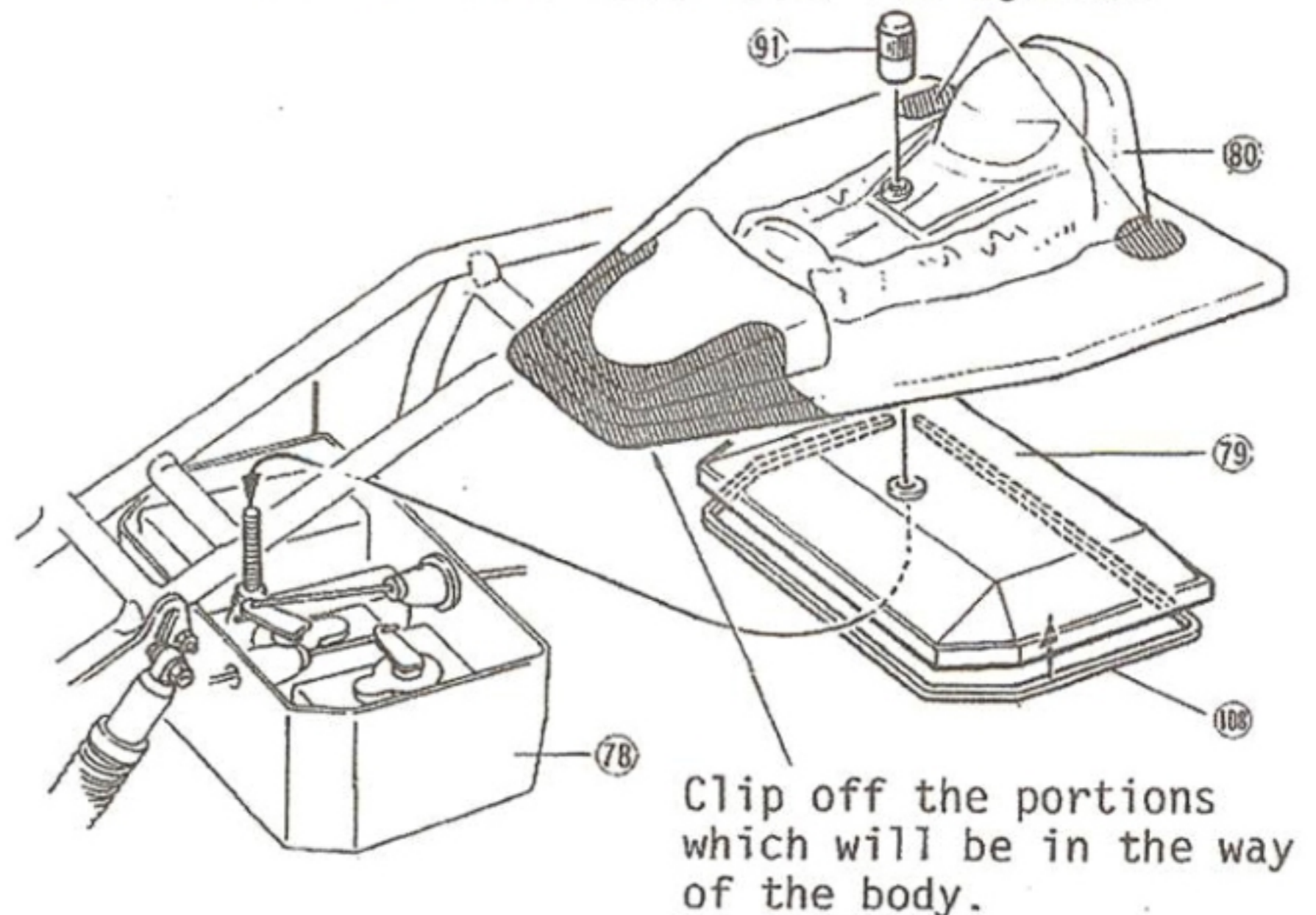


60 House the battery at bottom and the receiver upon it. Assemble the antenna as shown in the drawing, and fix it to the antenna stay (118). Wind up the antenna wire around the rod.

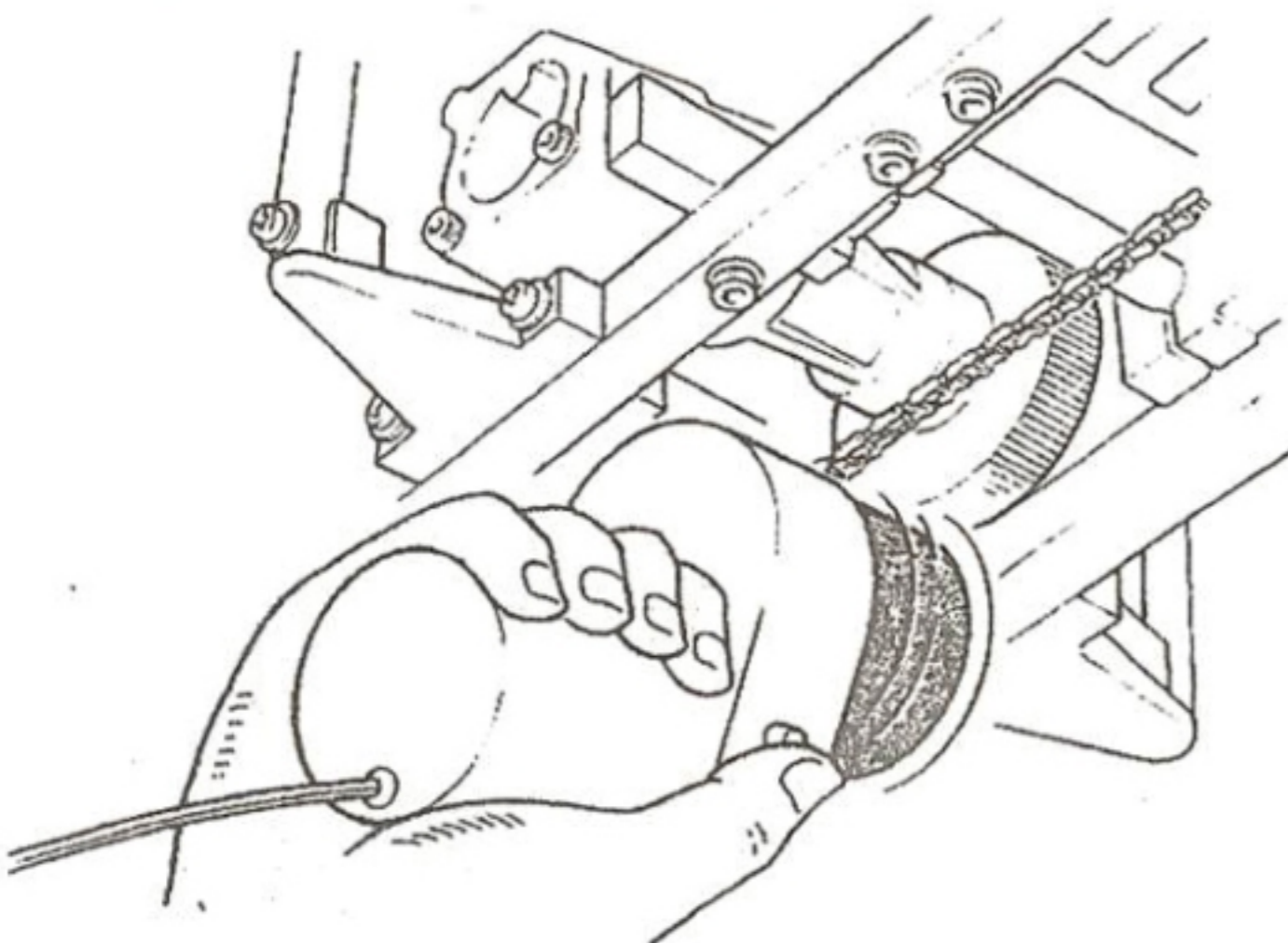


61 Cement the R/C unit box gasket (108) to the groove on the cover (79). Mount the R/C unit box cover (79) and the driver doll (80) and fix them with the securing stud (91).

Cut away the places where the gear cover and the servo saver will rub against.

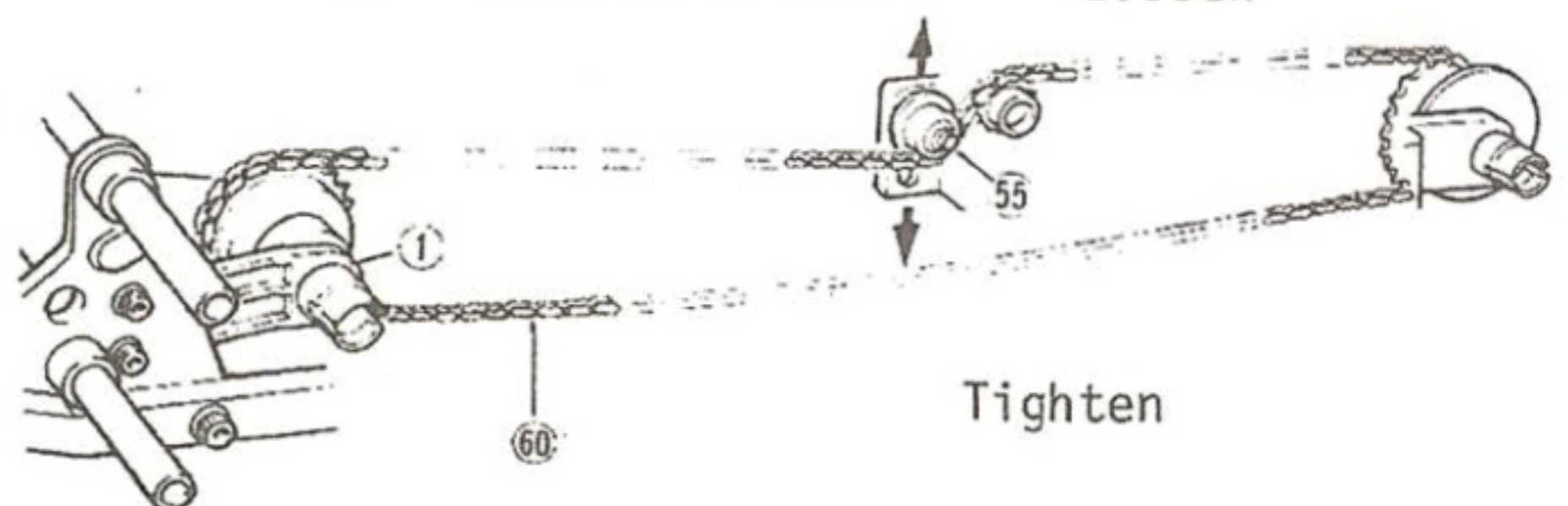


62 Method of starting Intaegra 4WD is performed in the same manner a racing car by revolving the flywheel with an electric starter from the bottom of the chassis.



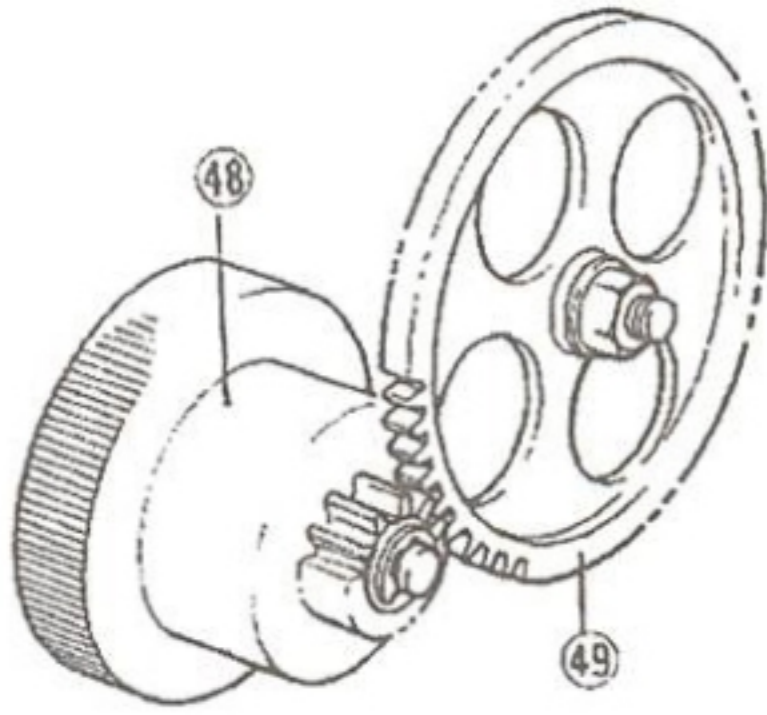
63 [Inspection of Chain]

The Chain (60) will slacken to a certain extent during the so-called First-Stage-Slackening when it is still new. For the first 3-4 tank full of running keep checking then amount of slackening on each tank full of running. The initial slack is adjusted by moving the tensioner shaft (65) towards tightening direction. Loosen



64 [Changing Gear Ratio]

The gear ratio set on this car has 10.6:1 ratio with Spur Gear 53Z (49) and the clutch bell 12Z (48). This can be replaced with optional gears 8.7:1 and 9.6:1.



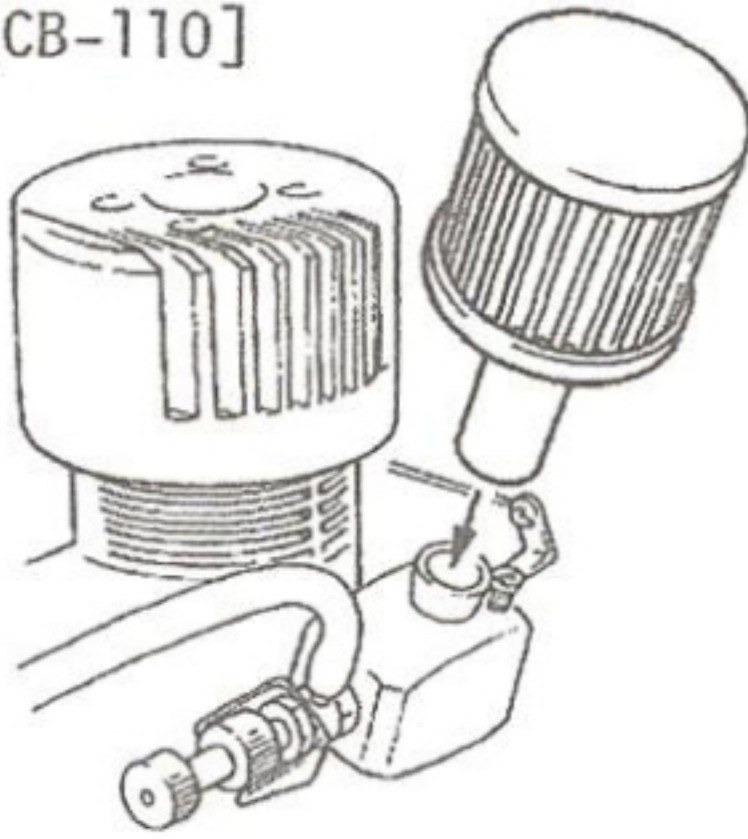
Clutch Bell	Spur Gear	Gear Ratio
12Z (SD-53)	53Z (LD-27)	10.6 : 1
13Z (SD-54)	52Z (LD-26)	9.6 : 1
14Z (SD-55)	51Z (LD-25)	8.7 : 1

[OPTIONAL PARTS]

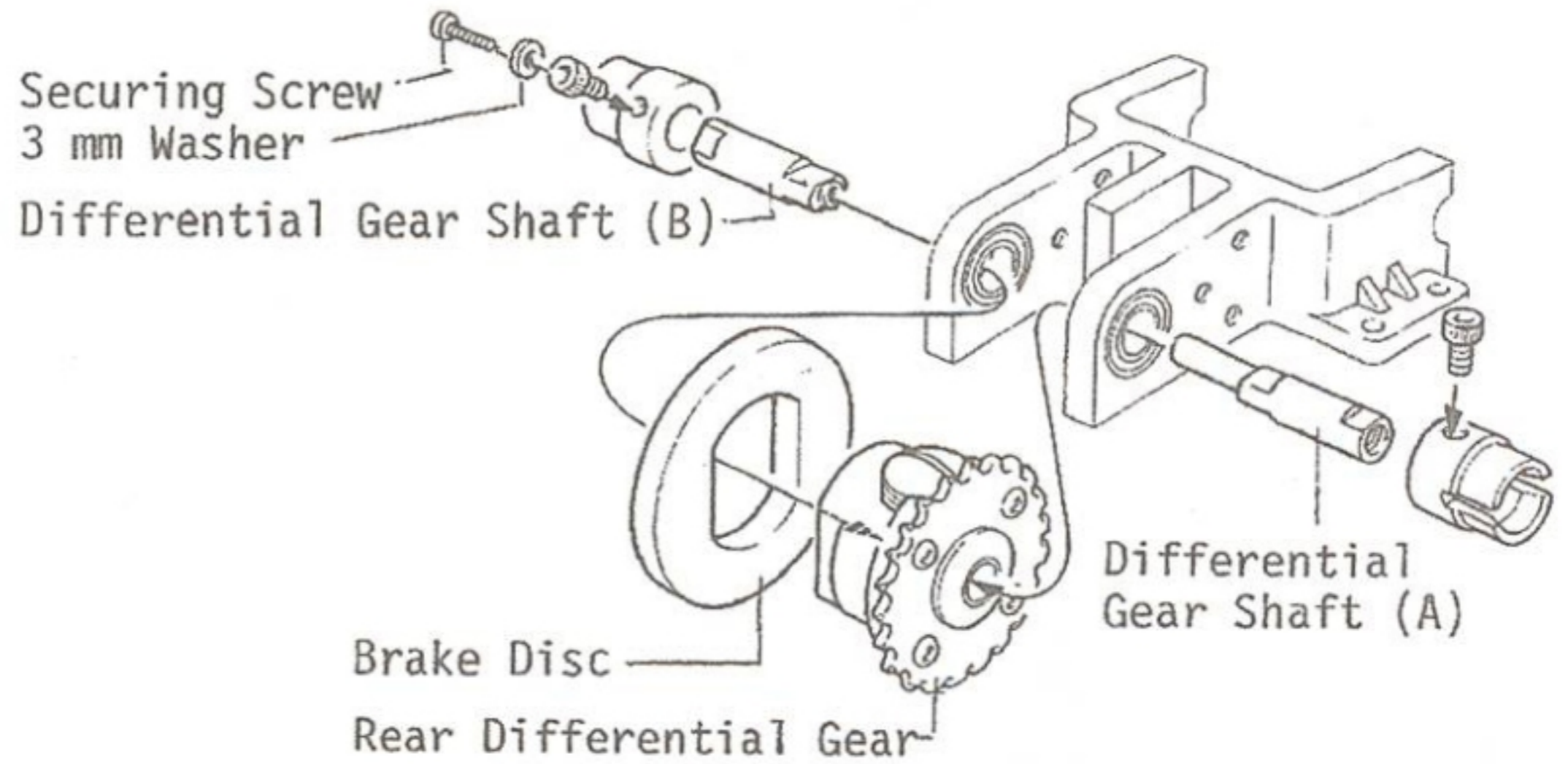
65 [Use Air-Filter]

To protect the engine from dirt, be sure to use Air-Filter on Carburetor. Available as option parts.

[CB-110]

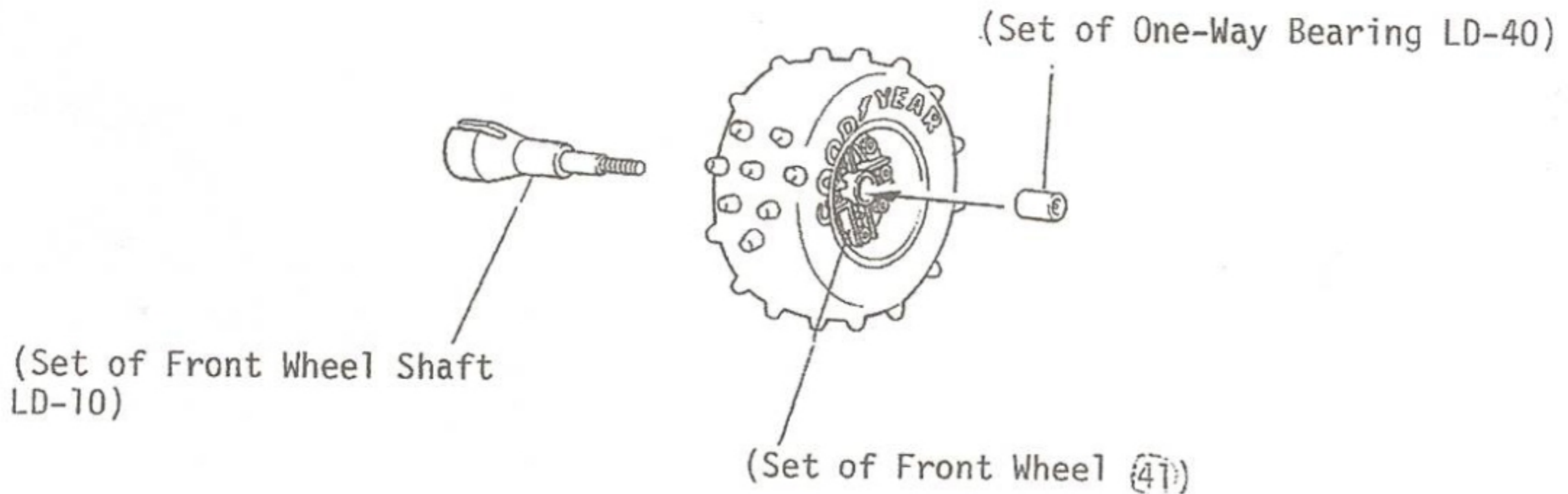


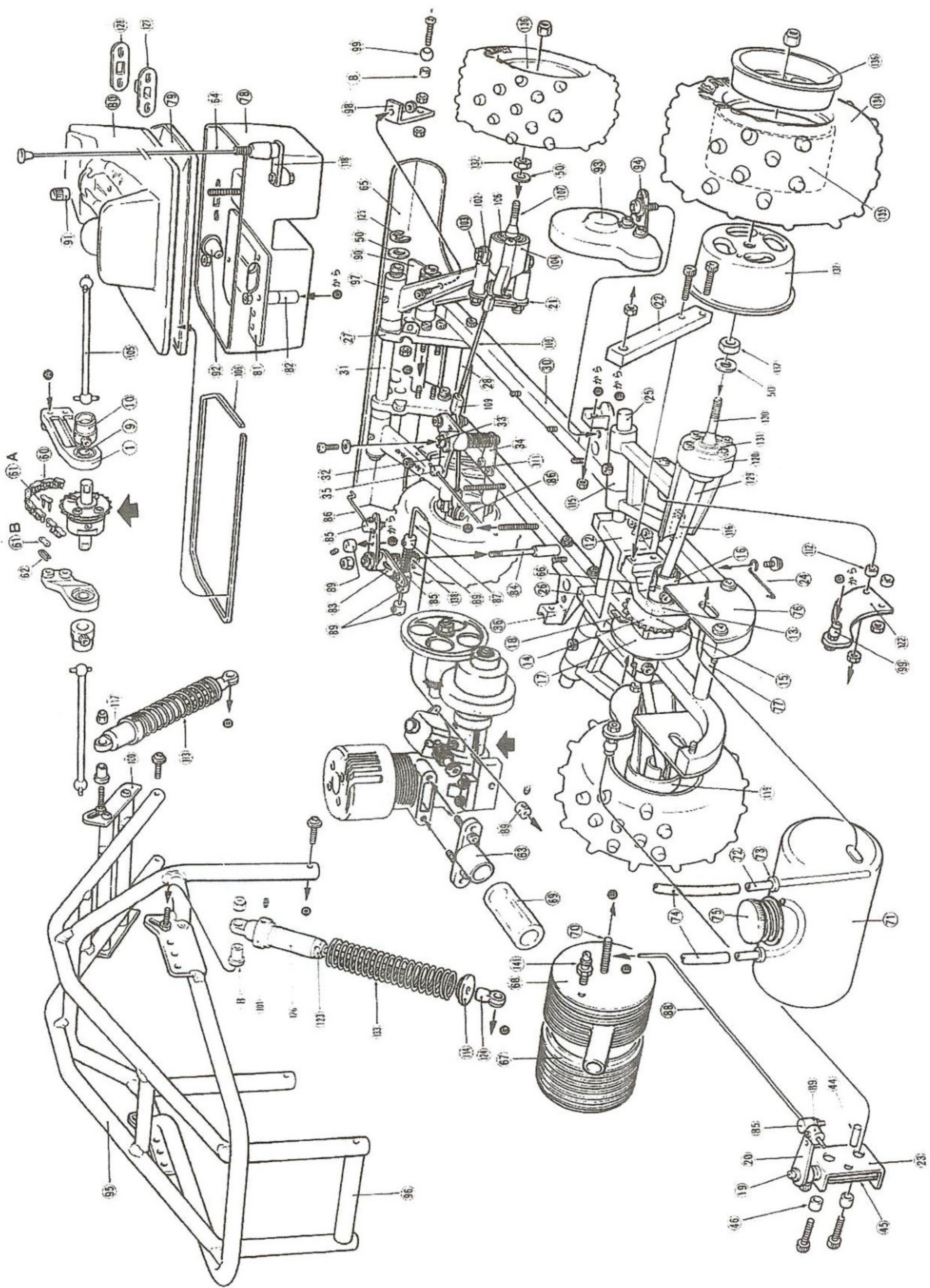
66 The optional parts, rear differential gear LD-61 will exhalt the running capability of the model tremendously.



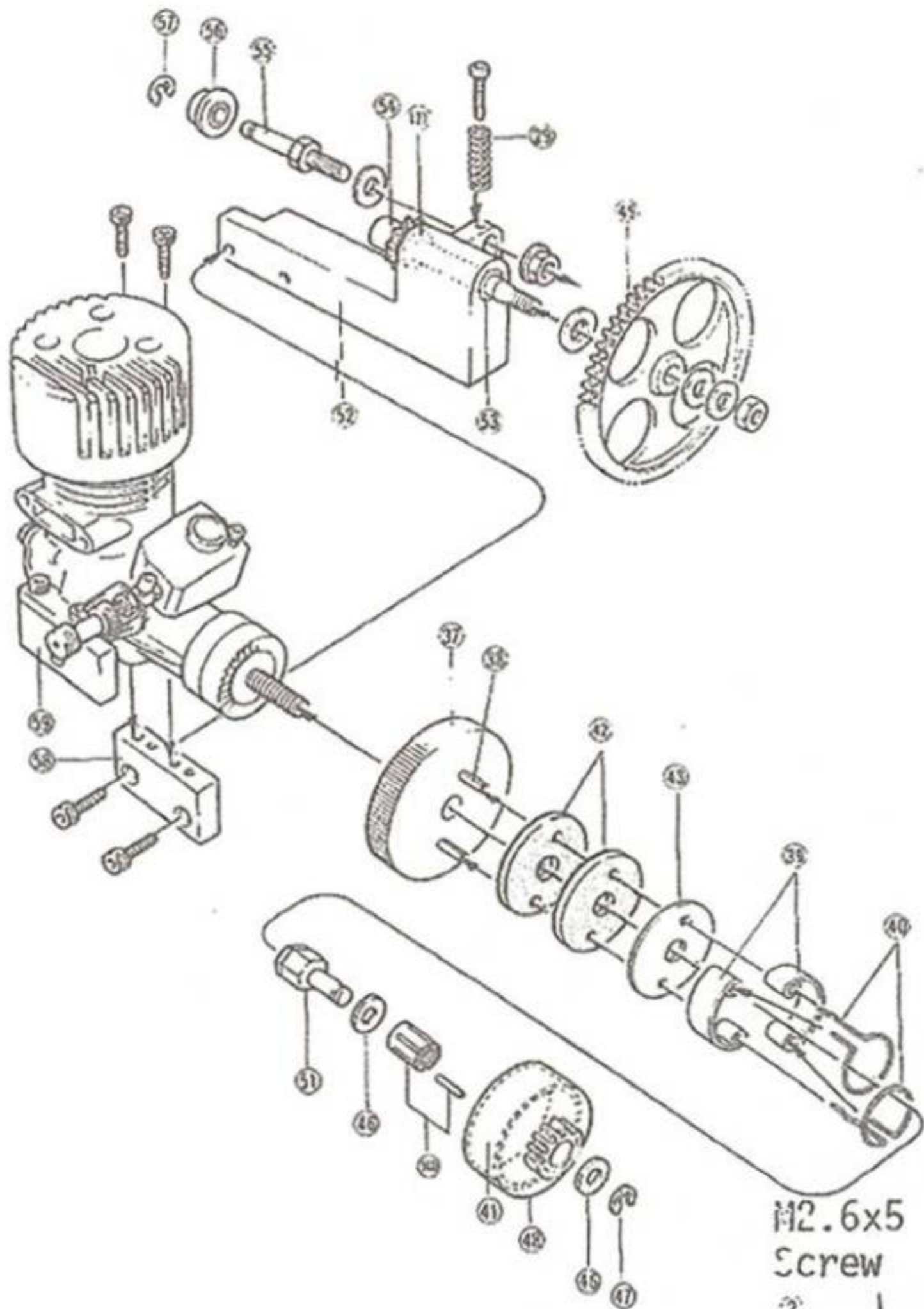
67 The buggy car is designed to run not only over a flat place, but also rugged or slippery or other very resistant surfaces. The one-way bearing is one of the effective tools to characterize the car in a particular way.

[Front Wheel Incorporated with the One-Way Bearing]

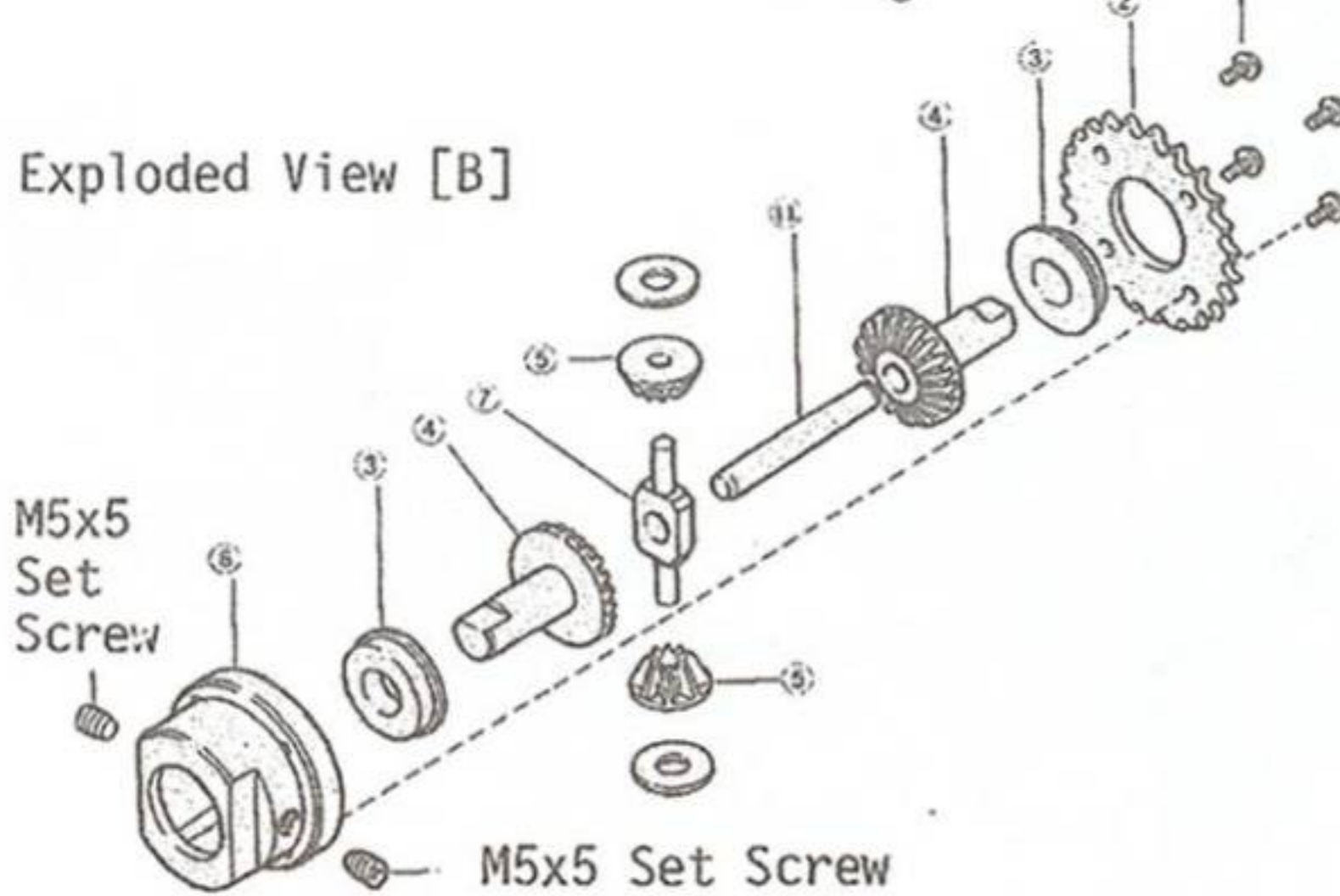




Exploded View [A]



Exploded View [B]



Key No.	Parts Name	Qty.
1	Front Axle	2
2	Front Disk Sprocket	1
3	Differential Metal	2
4	Differential Bevel Gear (L)	2
5	Differential Bevel Gear (S)	2
6	Differential Case	1
7	Differential Bevel Shaft	1
8	Damper Installing Bushing	4
9	Front Center Shaft Bearing	2
10	Joint	2
11	Differential Center Shaft	1
12	Rear Axle (A)	1
13	Rear Shaft Bearing	2
14	Rear Sprocket	1
15	Rear Center Shaft	1
16	Joint	2
17	Disk Body	1
18	Disk Pat	2
19	Brake Shaft	1
20	Brake Horn	1
21	Steering Stopper	2
22	Muffler Installing Stay	1
23	Brake Caliper	1
24	Chain Pin	1
25	Rear-Suspension Arm Shaft	1
26	Rear Suspension Arm Stopper	2
27	Front Axle Mount (R.L)	1 set
28	Joint Collar	1
29	Adjust Spring	1
30	Main Chassis (R.L)	1 set
31	Front Arm Shaft (B)	2
32	Servo Saver	1 set
33	Servo Saver Shaft	1
34	Servo Saver installation hardware	1 set
35	Steering Linkage Guide	1
36	Side Member	2
37	Flywheel	1
38	Clutch Pin	2
39	Clutch Shoe	2
40	Clutch Spring	2
41	Lining	1
42	Flywheel Spacer	2
43	Clutch Sheet	1
44	Brake Pin	1
45	Brake Shaft Plate	1
46	Brake Shaft Plate Collar	2
47	E Ring (E-3)	1
48	Clutch Bell	1
49	Spur Gear	1
50	8 mm Adjusting Shim	8
51	Pilot Shaft (set screw)	1
52	Spur Gear Mount	1
53	Spur Gear Shaft Bearing (Roller)	2
54	Spur Gear Shaft	1
55	Tensioner Shaft	1
56	Tensioner Guide	1
57	E Ring (E-4)	1
58	Engine Mount (A)	1
59	Engine Mount (B)	1
60	Chain	1

No.	Parts Name	Qty.	No.	Parts Name	Qty.
61	A Chain Joint ()	2	121	Nylon Coller	1
61	B Chain Washer (")	2	122	Rear Spring Installing Stay	2
62	Chain Clip (")	2	123	Rear Oil Damper	2
63	Muffler Adampster	1	124	M3 Shaft End Link	4
64	Antenna Set	1 set	125	E Ring (E-7)	4
65	Front Bumper	1	126	Damper Cylinder	2
66	Rear Axle (B)	1	127	Switch Boot	1
67	Muffler (A)	1	128	Switch Plate	1
68	Muffler (B)	1	129	Rear Swing Shaft	2
69	Muffler Pipe	1	130	Rear Wheel Shaft	2
70	Muffler Connect Bolt	1	131	Rear Wheel Bearing	2
71	Fuel Tank	1	132	Drive Washer	4
72	Fuel Pipe	2	133	Rear Spring	2
73	Fuel Bush	2	134	Tire	4
74	Fuel Tube	1	135	Inner Wheel	4
75	Fuel Cap	1	136	Wheel (A)	4
76	Fuel Installation Plate	2	137	Wheel (B)	4
77	Joint Collar		138	Engine Control Spring	1
78	R/C Unit Box	1	139	Decal	1
79	R/C Unit Box Cover	1	140	Clutch Bearing Set	1 set
80	Doll	1	141	Pressure Nipple	1
81	Servo Plate	1	142	Strap	2
82	Servo Plate Coller	4	143	Baffle	1
83	Engine Controls Servo Saver	1 set			
84	Engine Controls Servo Saver Shaft	1			
85	Linkage Guide	3			
86	Linkage Rod (A)	2			
87	Linkage Rod (B)	1			
88	Linkage Rod (C)	1			
89	Linkage Stopper	6			
90	Bumper Reinforcement Plate	1			
91	Securing Stud	1			
92	Rod Boot	2 set			
93	Gear Cover	1			
94	Gear Cover Stay	1			
95	Body	1			
96	Joint Coller	1			
97	Front Suspension Arm	4			
98	Front Spring Stay	2			
99	Ball	4			
100	Front Damper Stay	2			
101	Suspension Spring Stopper	4			
102	King Pin Holder	4			
103	King Pin	4			
104	Front Hub	2			
105	Front Swing Shaft	2			
106	Front Wheel Shaft Bearing	2			
107	Front Wheel Shaft	2			
108	R/C Unit Box Gasket	1			
109	Ball Link (w/Ball)	4			
110	Tie Rod (L)	1			
111	Tie Rod (S)	1			
112	Damper Stay Installing Coller	4			
113	Front Spring	2			
114	Suspension Spring Holder	4			
115	Rear Suspension Installing thimble	2			
116	Rear Suspension Lower Stopper	2			
117	Front Oil Damper	2			
118	Antenna Installing Stay	1			
119	Rear Suspension Arm (Left)	1			
120	Rear Suspension Arm (Right)	1			

No.	Parts Name	Key No. & Contents
LD- 1	Bumper	65 90 x 1
2	Front Suspension Arm	97A x 2 97B x 2
3	Arm Set	29 99 100 101 x 2 31 x 2
5	Front Hub Carrier	104 x 2
6	King Pin Set	102 103 x 4
7	Tie Rod Set	109 x 4 110 111 112 x 1
8	Joint Coller Set	28 77 96 x 1
9	Front Axle Mount	127 x 2
11	Front Swing Shaft	105 x 2
15	Main Chassis	30 x 2
17	Chain Set	60 61 x 1 62 x 2
18	Joint Link	61 x 1 62 x 1 w/Washer
19	Side Member	86 x 2
20	Engine Mount	58 69 x 1
22	Chain Tensioner	24 55 66 67 x 1
23	Spur Gear Mount	62 x 1
24	Spur Gear Shaft	64 w/Sprocket x 1
27	Main Gear 53T	49 x 1
28	Muffler Set	63 67 68 70 x 1
29	Silicone Tube	69 x 2
30	Rear Suspension Arm Shaft	25 x 1
31	Rear Suspension Arm	119 120 x 1
33	Rear Spring	122 124 125 126 x 2 128 x 4
34	Rear Axle Mount	12 66 x 1 26 x 2
35	Engine Controller Servo Saver	83 84 x 1
36	Tank	72 73 x 2 71 74 75 x 1
37	Installing Stay Set	22 x 1 23 76 x 2
38	R/C Unit Box Set	78 79 80 81 91 108 127 128 x 1 92 x 2 82 x 4
43	Spike Tire	134 x 2
45	Linkage Set	
46	Gear Cover	93 94 x 1
47	Servo Saver	32 33 34 x 1
32	Rear Sprocket	14 x 1
SD-53	Clutch Bell	48 x 1
76	Flywheel	37 x 1
56	Lining	41 x 5
FM-15	Disk Plate Set	17 x 1 18 x 2
20	Clutch Sheet	43 x 5
72	Pilot Shaft	(for Enya 19X)
73	Pilot Shaft	for OS 51 x 1
CB-11	Swing Shaft	129 x 2
13	Rear Wheel Shaft	130 x 2
15	Ball Bearing	131 x 2 (106 Common)
28	Clutch Parts	41 x 1 38 39 40 x 2
44	E Ring (E-7)	11 x 4 (100 Common)
51	Center Shaft	15 x 1
52	Joint	10 x 2 (16 Common)
72	E Ring (E-3)	47 x 5
84	Ball Bearing	9 x 2 (13 Common)
89	Rear Oil Damper	117 x 2 (123 Common)
67	Clutch Spring	40 x 4
FM-28A	Flywheel Spacer	42 x 1
LD-48	Decal	139 x 1
51	Steering Stopper	142 x 2
52	Differential Gear	Front Diff. set
53	Sprocket	2 x 1
54	Metal Set	3 x 2
55	Bevel Gear (L)	4 x 2
56	Bevel Gear (S)	5 x 2

<u>No.</u>	<u>Parts Name</u>	<u>Key No. & Contents</u>
LD-77	Case	⑥ x 1
58	Shaft Set	⑦ ⑪ x 1
69	Brake Caliper	⑱ ⑳ ㉓ ㉔ ㉕ x 1 46 x 2
70	Clutch Bearing	⑭ x 1 (Roller Bearing)
71	Spur Gear Bearing	⑤③ x 1
72	Wheel (One Lock Type)	⑬⑤ ⑬⑥ ⑬⑦ x 2
73	Body	⑨⑤ x 1
74	Drive Washer	⑬② x 4
75	Rear Suspension Stopper	⑪⑤ ⑪⑥ x 2
76	Damper Rubber Bush	⑧ x 10
78	Screw Set	Screw, Wrench Set
88A	Damper Spring (Front)	⑨⑧ ⑩① ⑩② ⑩③ x 1
89A	" (Rear)	⑩④ ⑩⑤ ⑩⑥ ⑩⑦ x 1

Option Parts

SD-53	Clutch Bell (12Z)	
55	Clutch Bell (14Z)	
FM-62	Flywheel	For Enya X
28	Flywheel Spacer	
74	Flywheel	For OS-21
LD-25	Main Gear 51T	
26	Main Gear 52T	
CB-86	Nylon Spike	
101	Front Wheel Bearing	
FM-59	Nylon Nut	M6
1881	Hard Oil for Differential Gear	
CB-110	Air Cleaner	For OS-21 CAR & Wing
95	Rear Double Bearing	

Printed in Japan